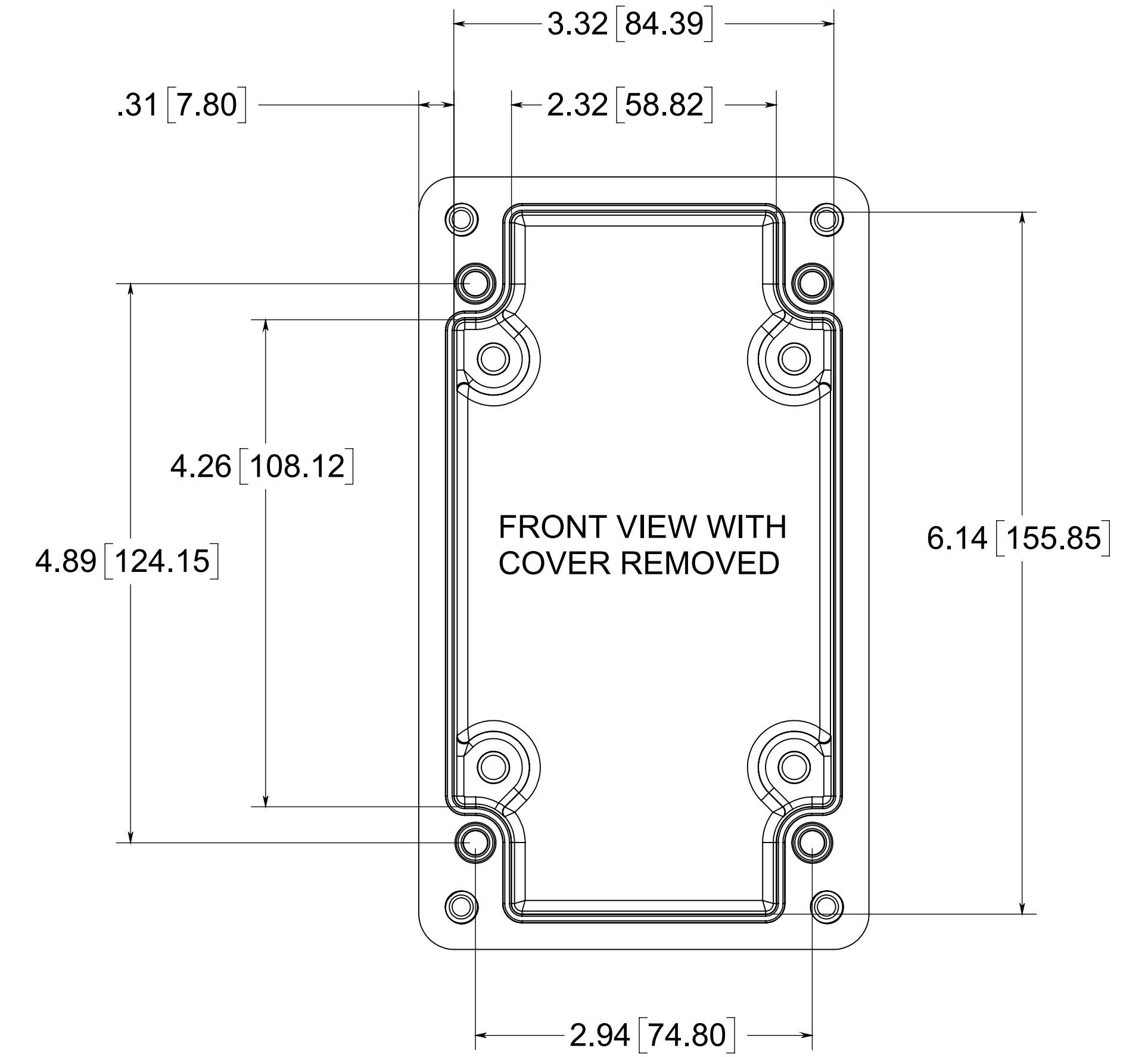
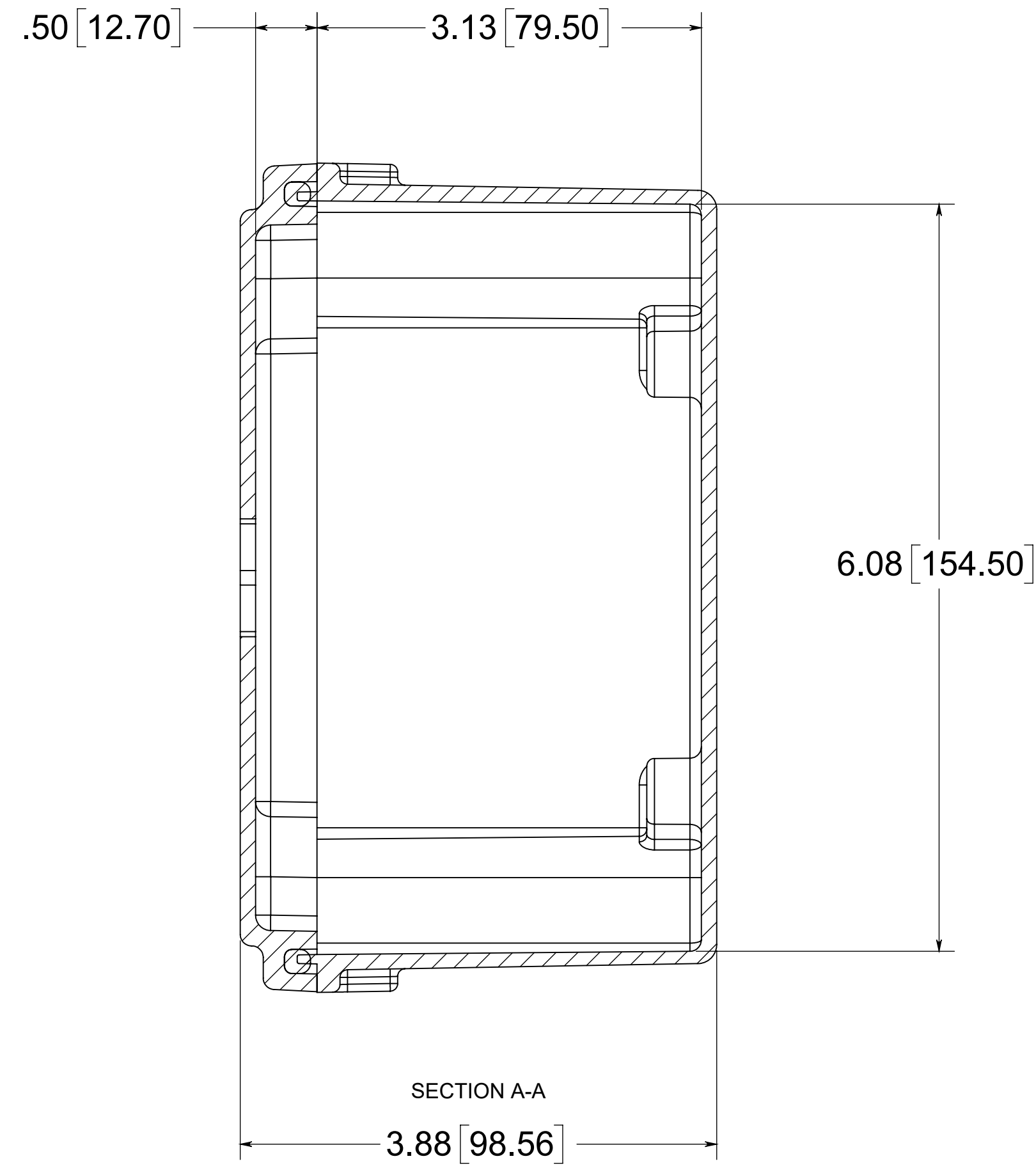
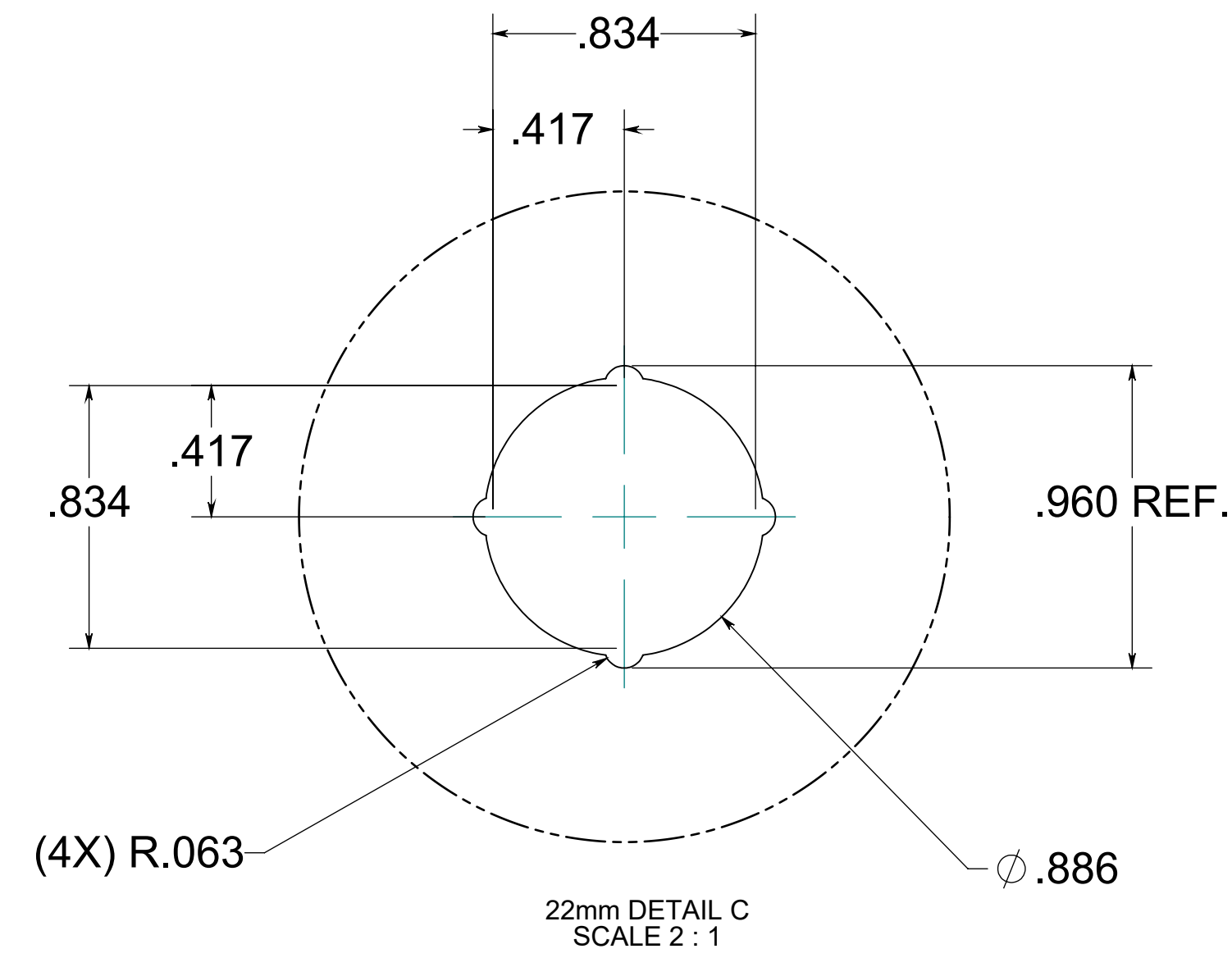
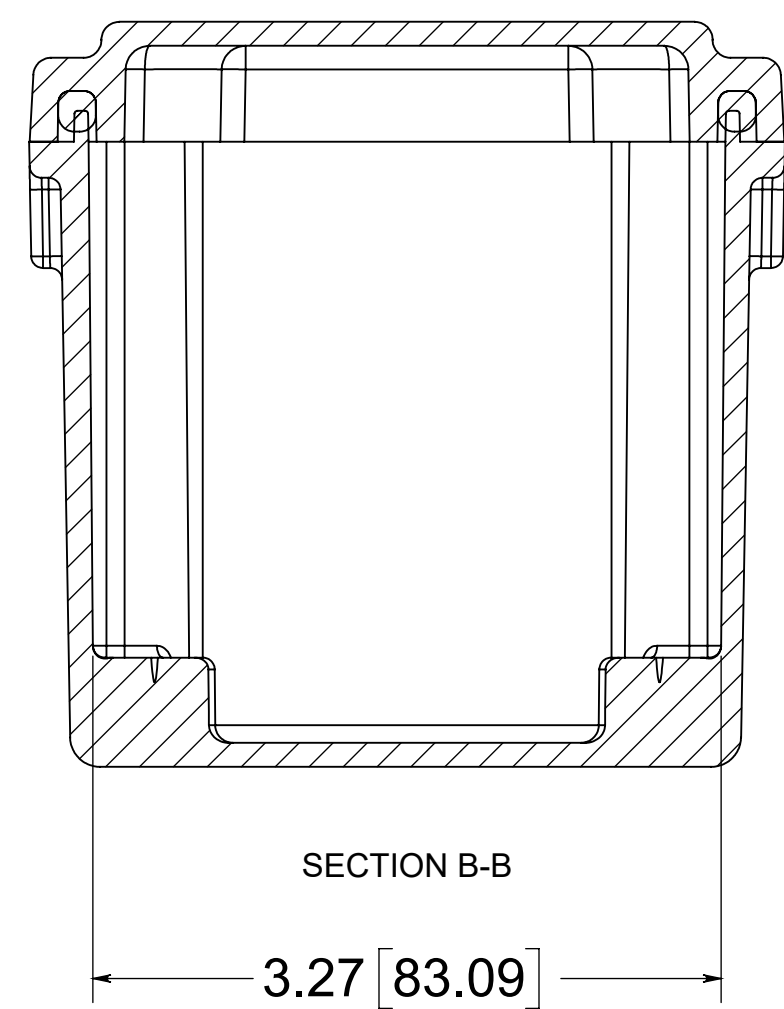


(4) EACH #10-32 BRASS  
INSERTS AND STAINLESS  
STEEL COVER SCREWS

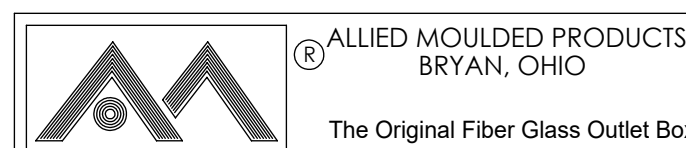


FIP  
POLYURETHANE  
GASKET



NOTE:  
1. DATA SUBJECT TO  
CHANGE WITHOUT NOTICE

MATERIAL:  
BOX & COVER - COMPRESSION MOLDED  
FIBERGLASS REINFORCED POLYESTER



**CONFIDENTIAL**  
THIS MATERIAL IS OWNED BY THE ALLIED  
MOULDED PRODUCTS COMPANY. IS DISCLOSED  
IN CONFIDENCE, AND IS NOT TO BE REPRODUCED  
OR DISTRIBUTED WITHOUT PRIOR WRITTEN  
PERMISSION FROM ALLIED MOULDED PRODUCTS.  
© 2018 Allied Moulded Products, Inc.  
All Rights Reserved

Description  
**AM Series**  
**AM1PB22**  
Part No.