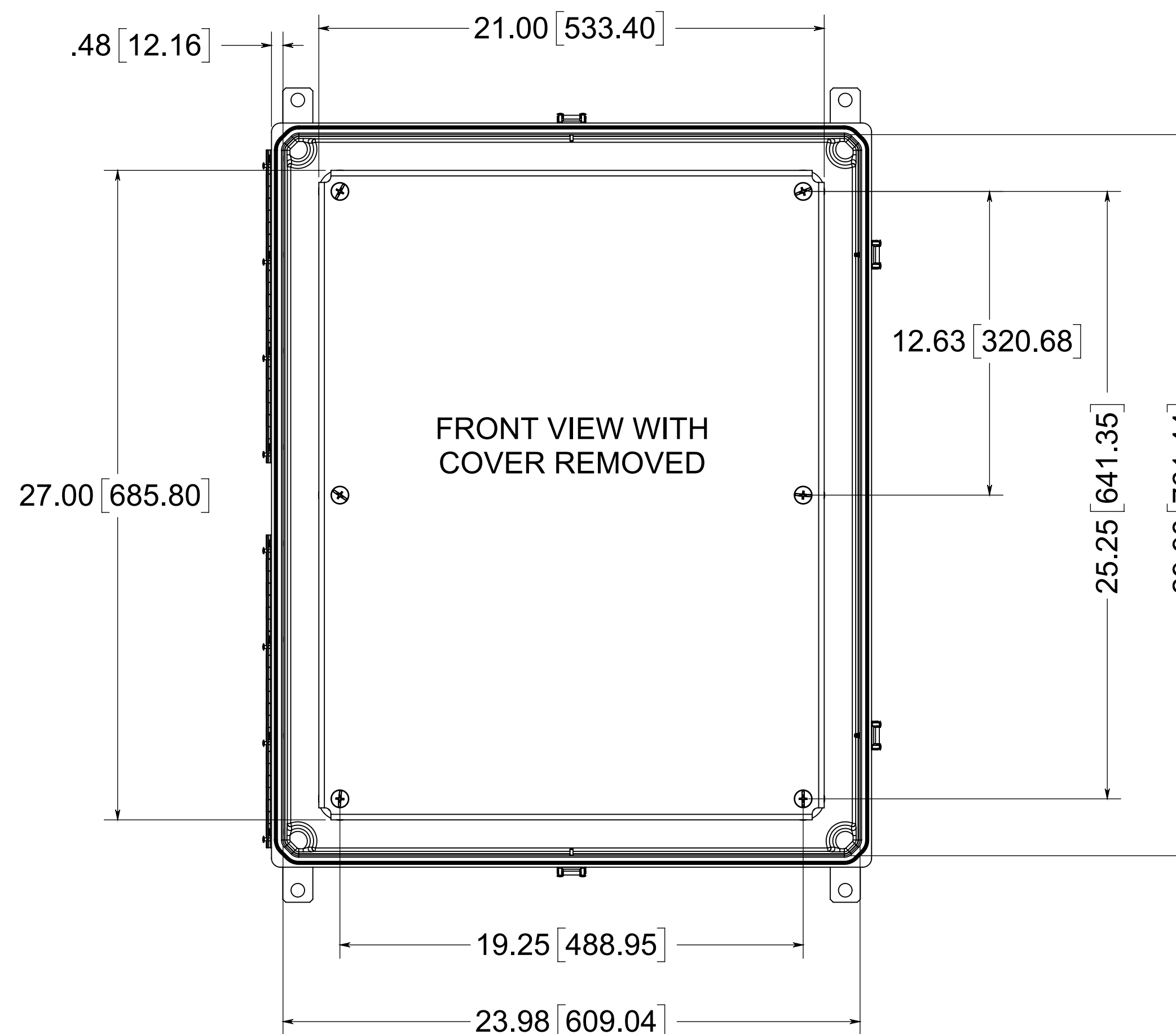
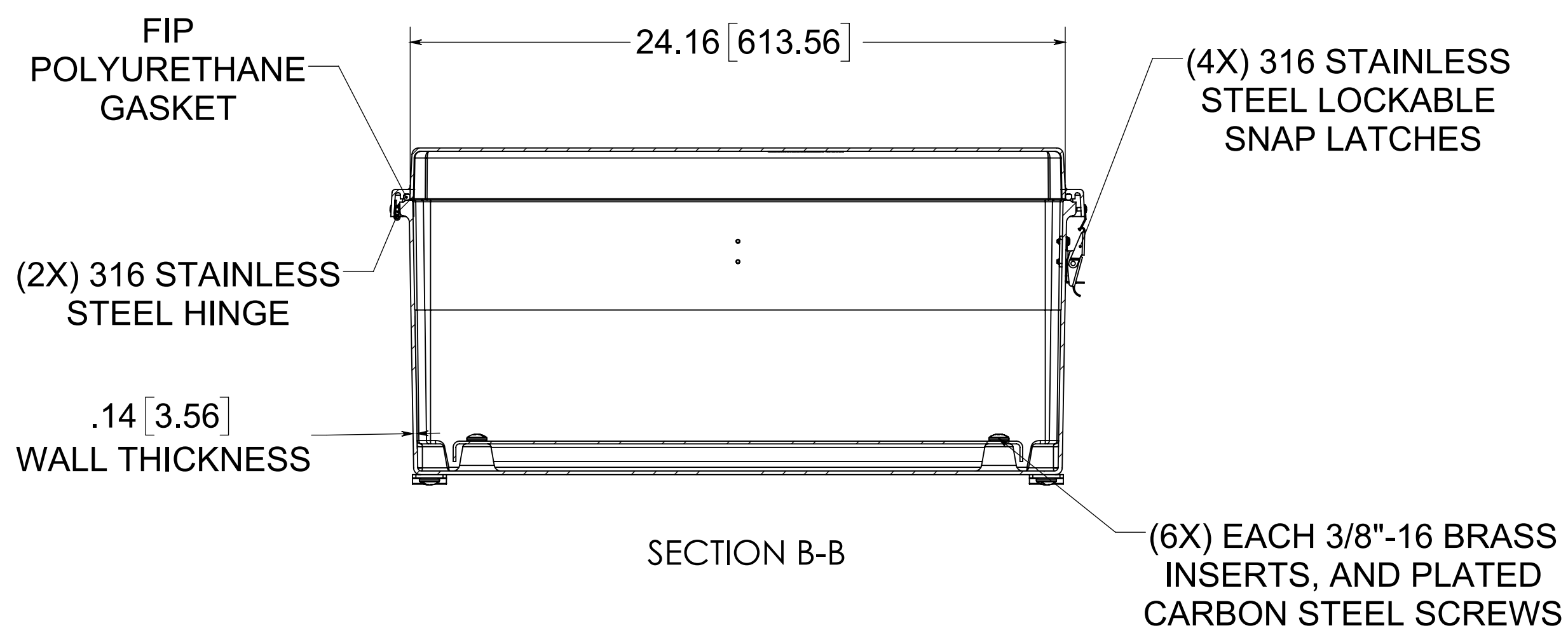
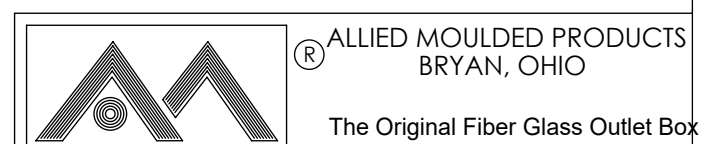


(4X) EACH 3/8"-16 BRASS INSERTS, AND 316 STAINLESS STEEL FEET SCREWS



MATERIAL:  
BOX- COMPRESSION MOLDED FIBERGLASS REINFORCED POLYESTER  
COVER- COMPRESSION MOLDED FIBERGLASS REINFORCED POLYESTER  
WINDOW- POLYCARBONATE

NOTES:  
1. DATA SUBJECT TO CHANGE WITHOUT NOTICE



CONFIDENTIAL  
THIS MATERIAL IS OWNED BY THE ALLIED MOULDED PRODUCTS COMPANY, IS DISCLOSED IN CONFIDENCE, AND IS NOT TO BE REPRODUCED OR DISTRIBUTED WITHOUT PRIOR WRITTEN PERMISSION FROM ALLIED MOULDED PRODUCTS.  
© 2017 Allied Moulded Products, Inc. All Rights Reserved

Description  
**Control**  
Part No.  
**AM30240RL**