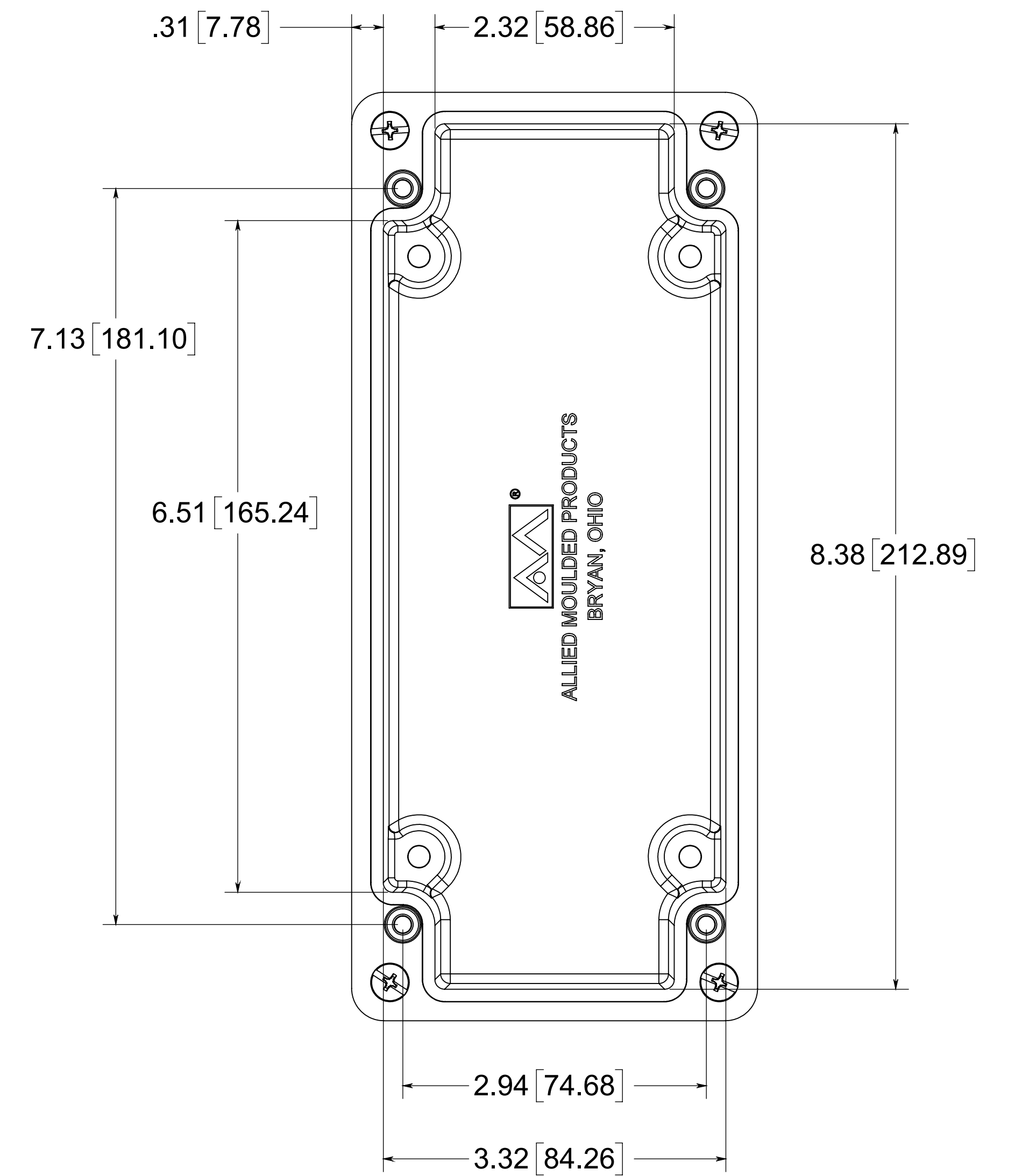
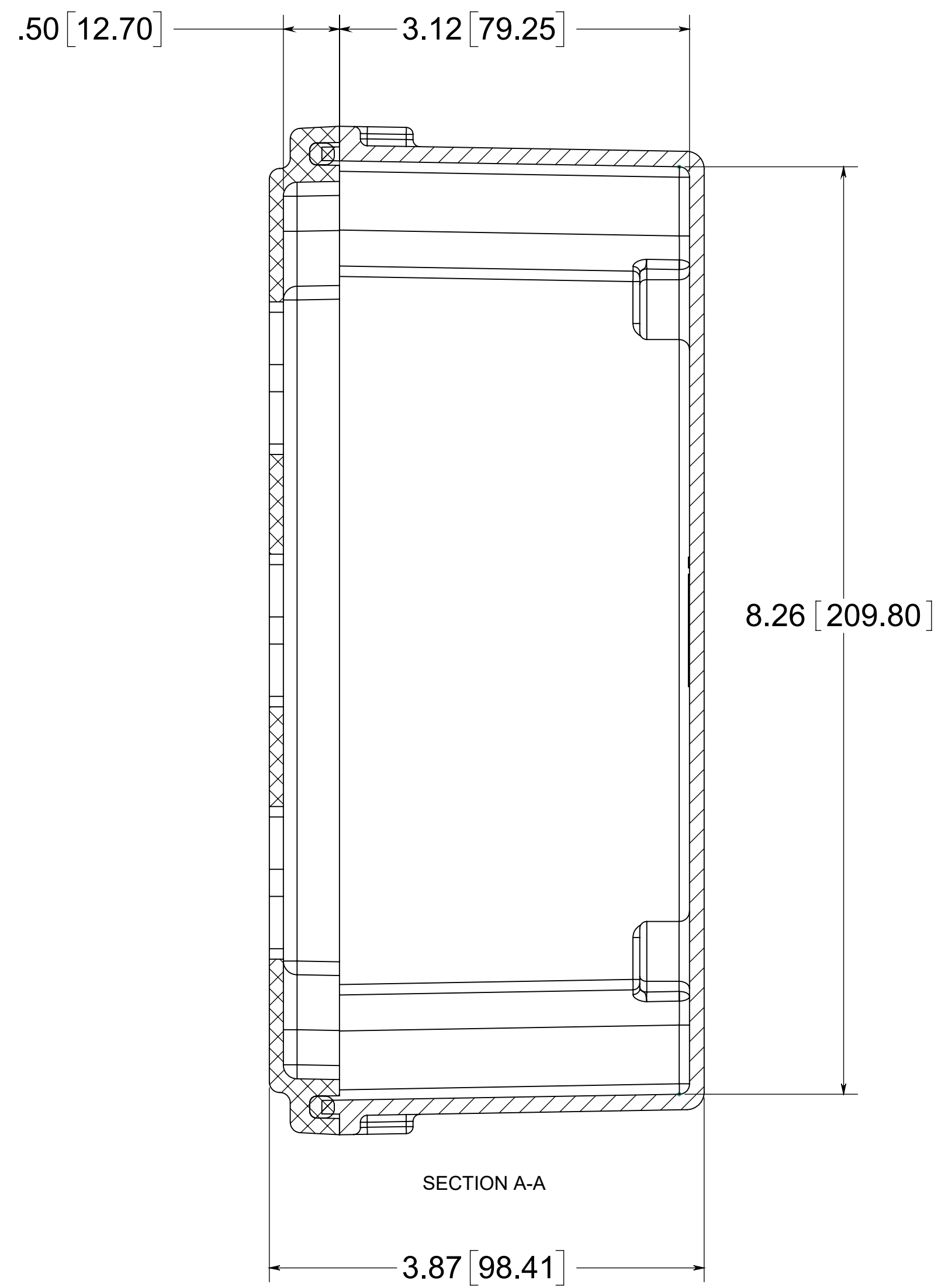
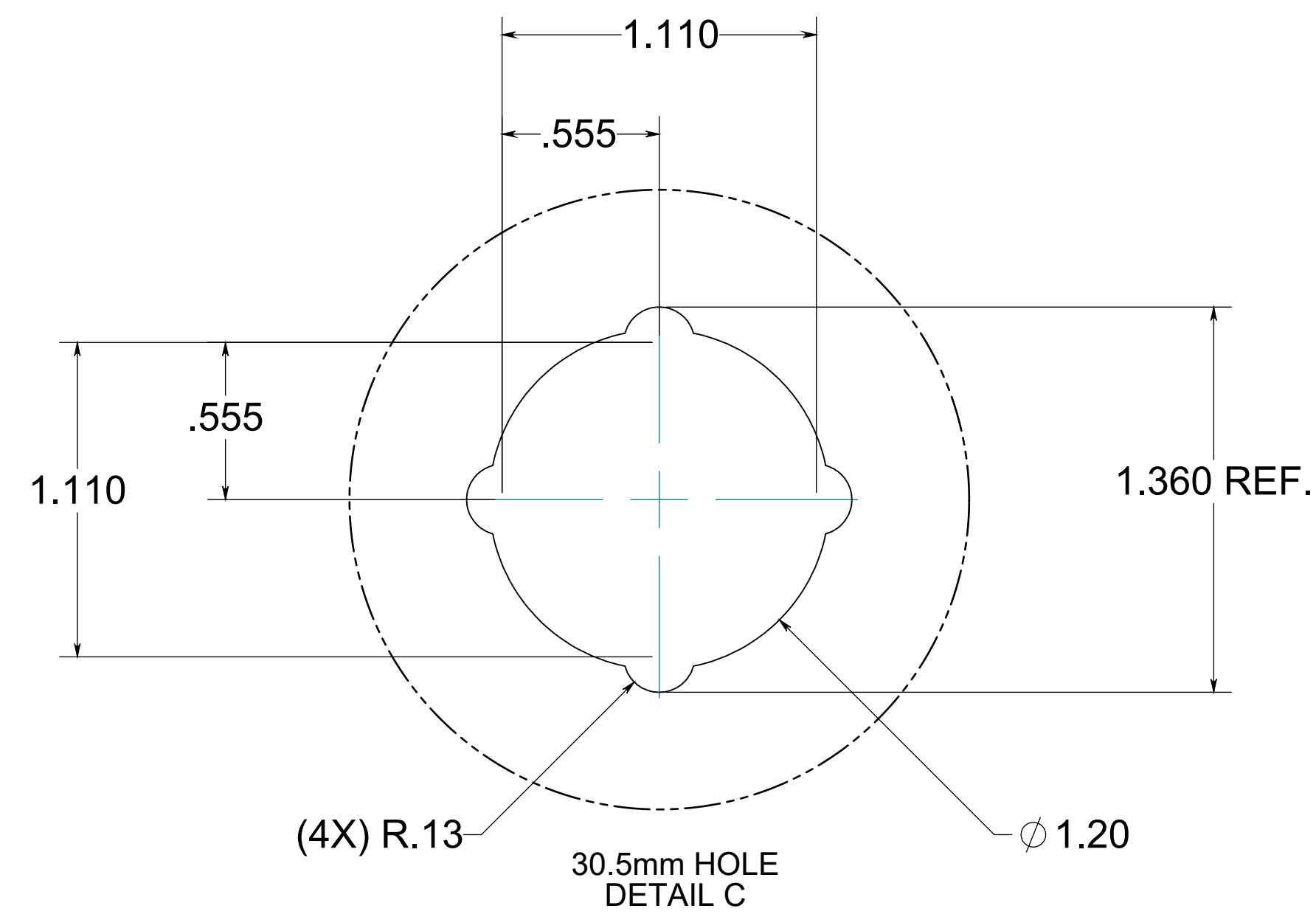
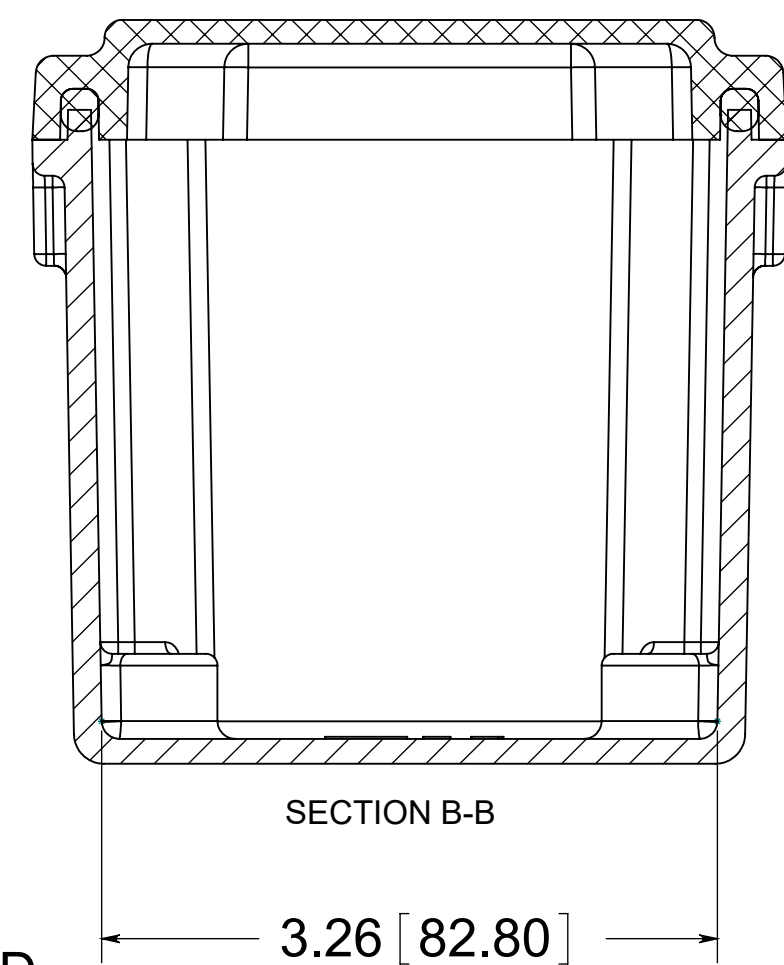


(4) EACH #10-32  
BRASS INSERTS AND  
STAINLESS STEEL  
COVER SCREWS



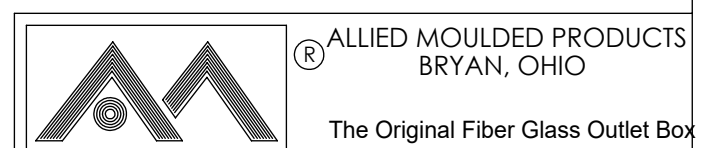
FIP  
POLYURETHANE  
GASKET



NOTE:  
1. DATA SUBJECT TO  
CHANGE WITHOUT NOTICE

MATERIAL:  
BOX & COVER- COMPRESSION MOLDED  
FIBERGLASS REINFORCED POLYESTER

CONFIDENTIAL  
THIS MATERIAL IS OWNED BY THE ALLIED  
MOULDED PRODUCTS COMPANY, IS DISCLOSED  
IN CONFIDENCE, AND IS NOT TO BE REPRODUCED  
OR DISTRIBUTED WITHOUT PRIOR WRITTEN  
PERMISSION FROM ALLIED MOULDED PRODUCTS.  
© 2018 Allied Moulded Products, Inc.  
All Rights Reserved



Description  
**AM Series**  
**AM3PB**  
Part No.