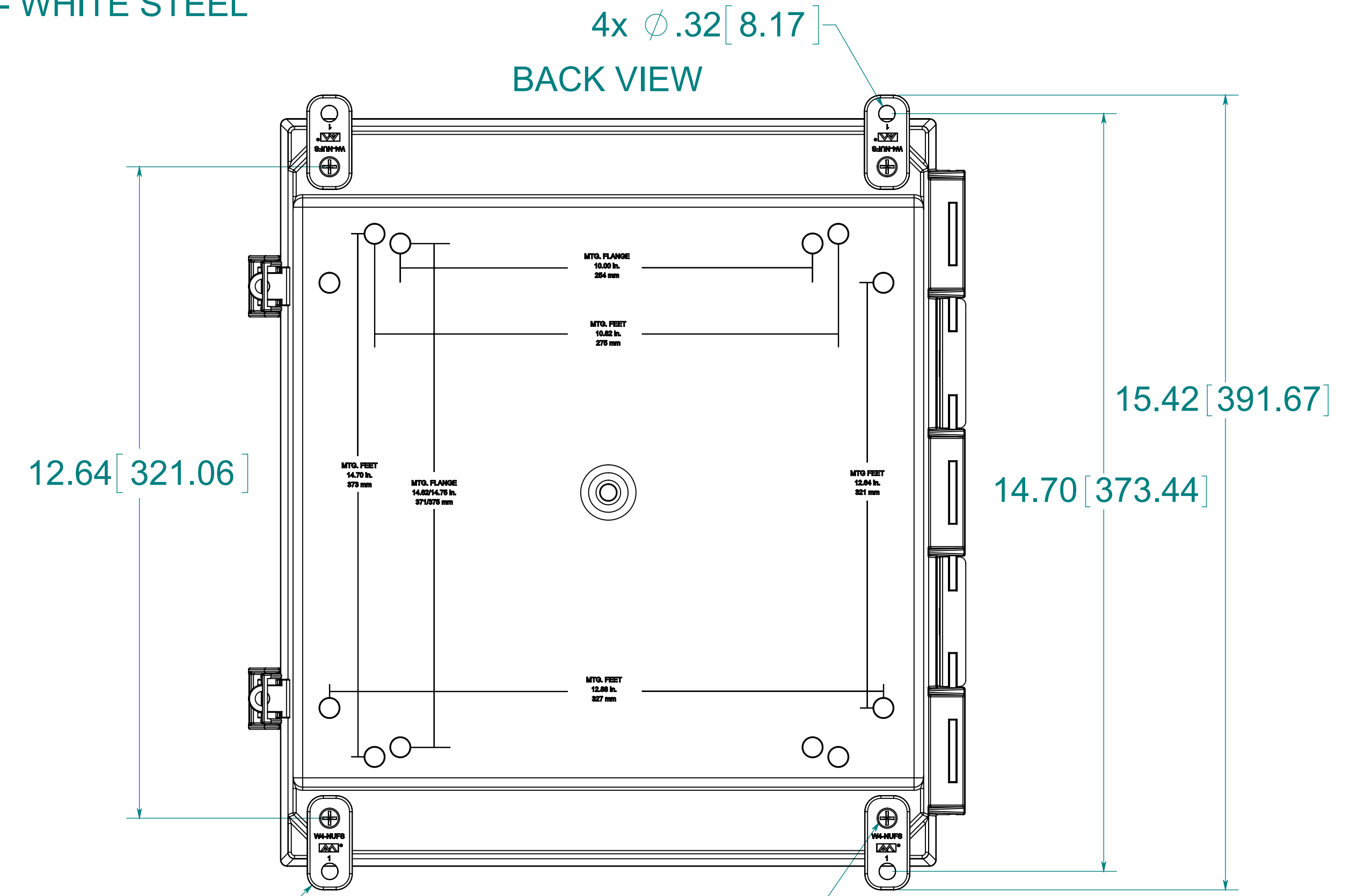
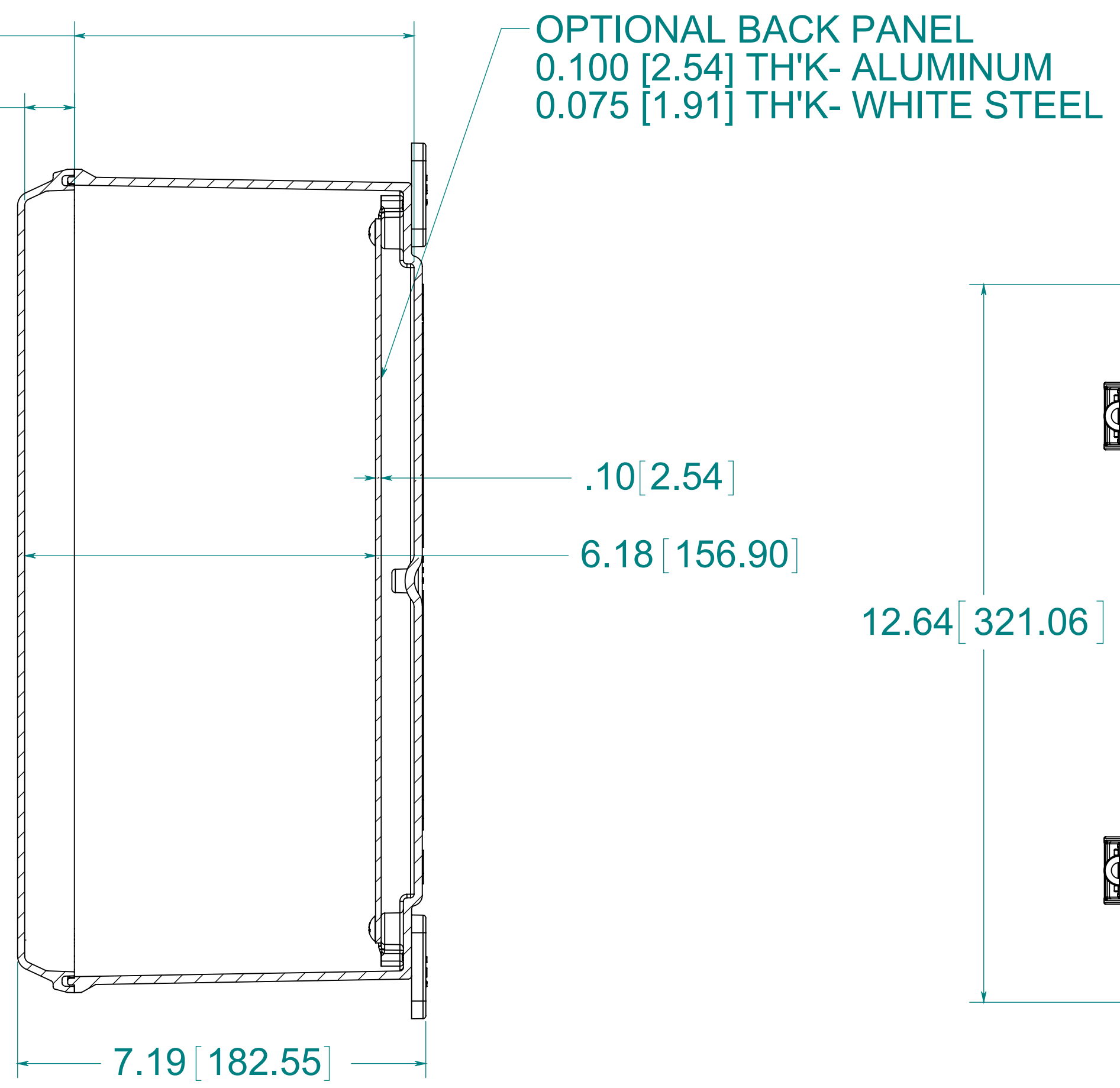
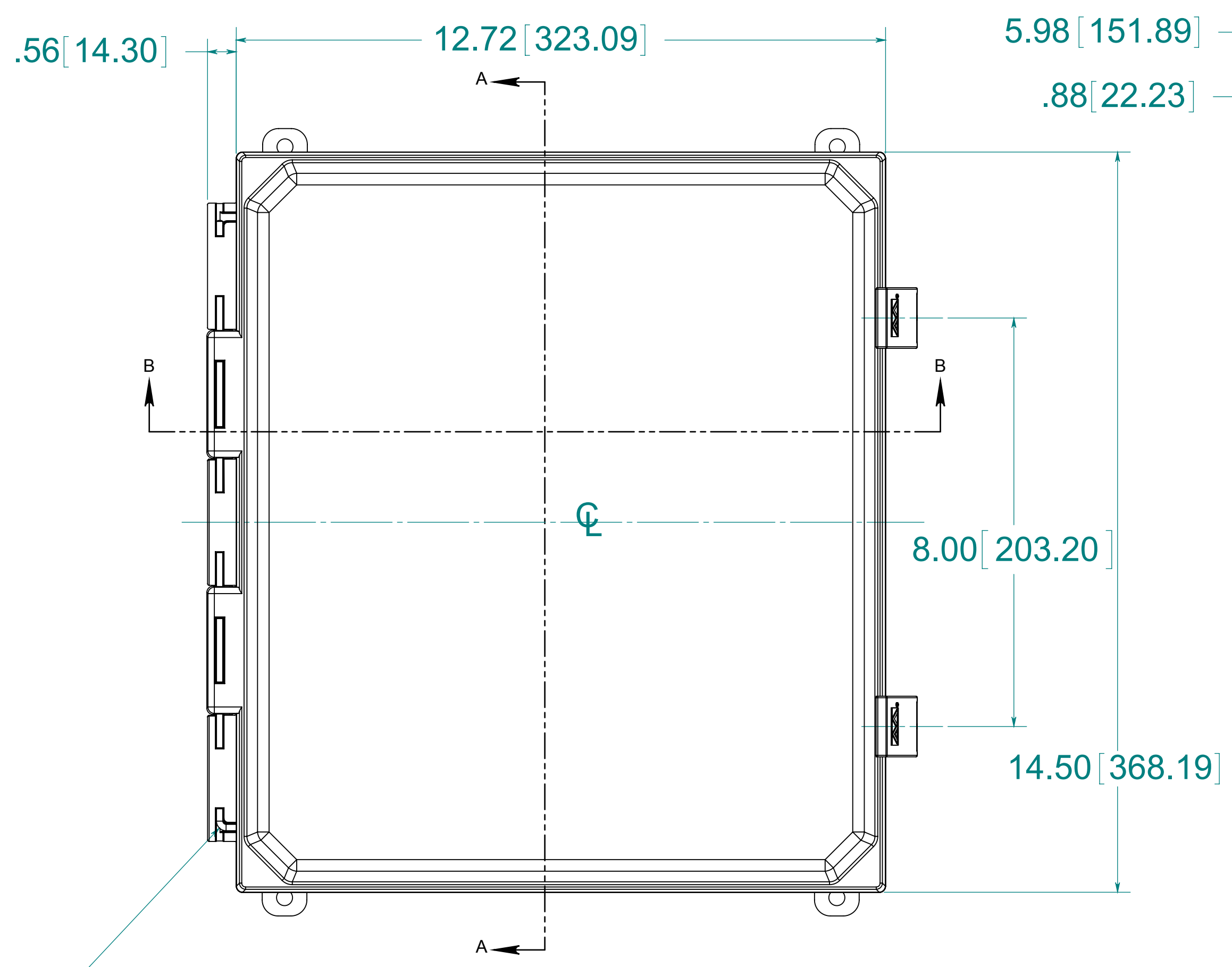


DATE	SYM.	DESCRIPTION	DR	CK	REL



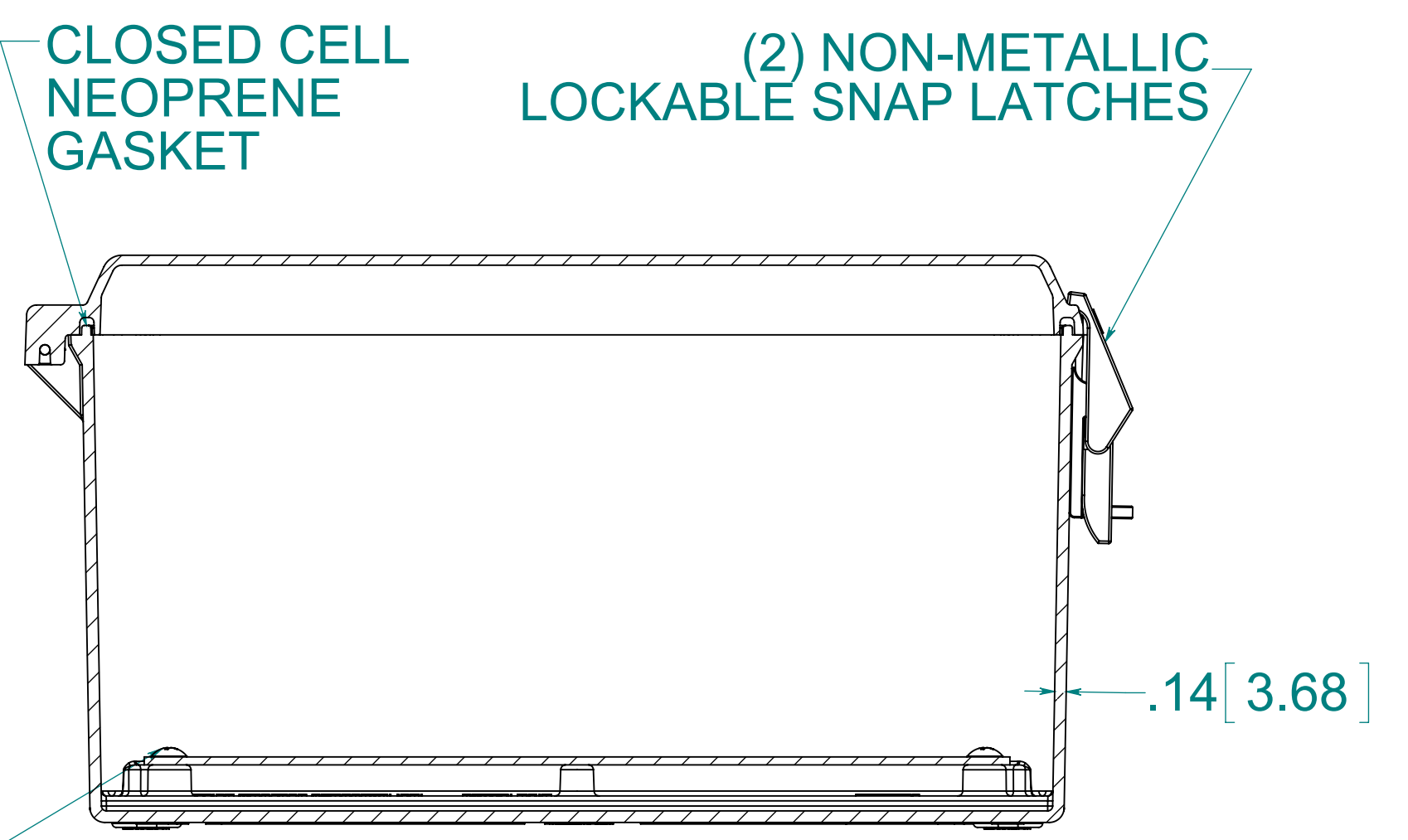
STAINLESS STEEL HINGE PIN

SECTION A-A

FRONT VIEW WITH COVER REMOVED AND BACK PANEL DISPLAYED

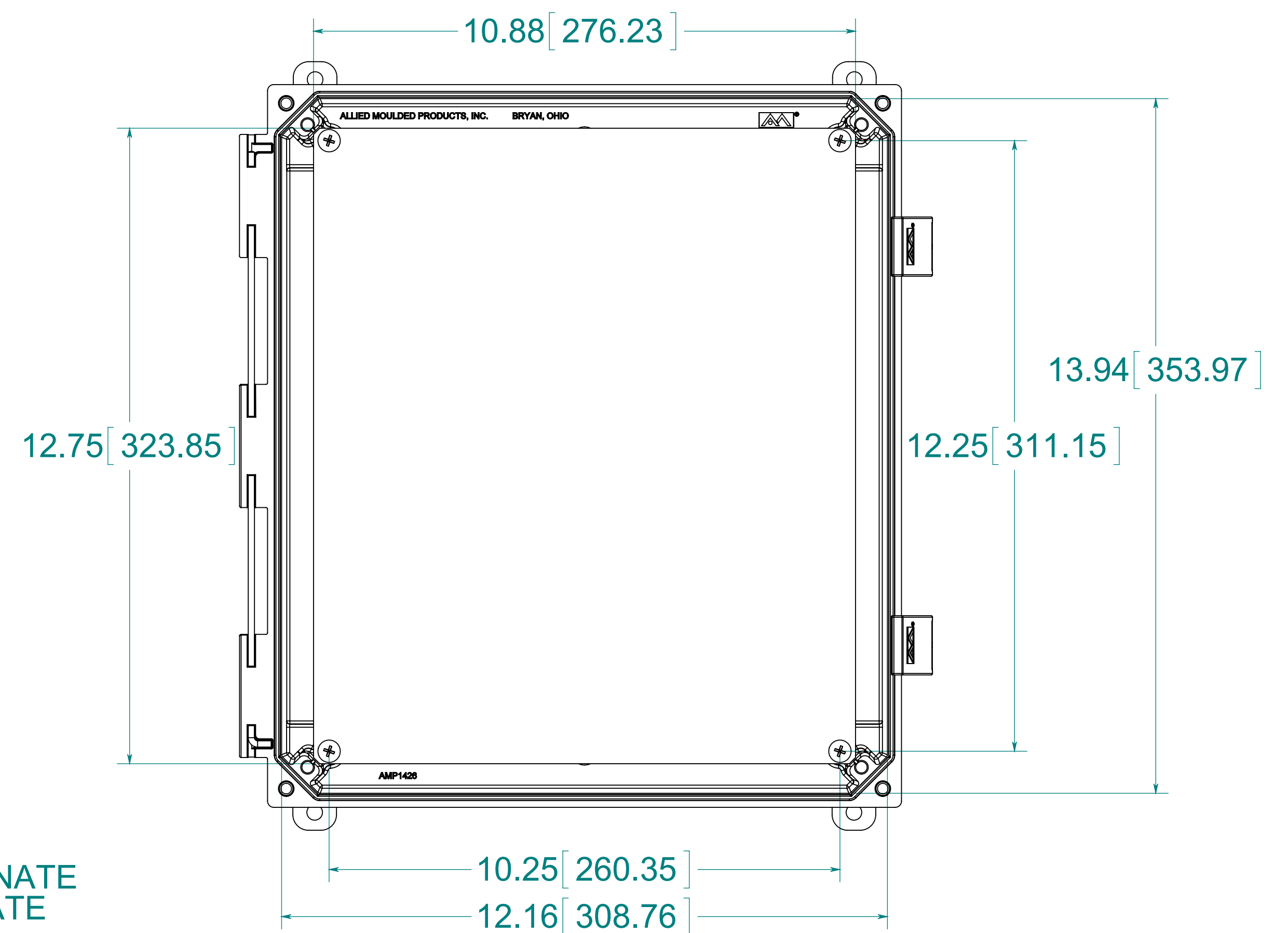
(4) POLYCARBONATE FEET

(4) EACH #10-32 BRASS INSERTS, AND STAINLESS STEEL FLANGE AND FEET SCREWS



(4) EACH #10-32 BRASS INSERTS AND PLATED CARBON STEEL TRUSS SCREWS

SECTION B-B



MATERIAL:
 BOX- INJECTED POLYCARBONATE
 STANDARD COVER- INJECTED POLYCARBONATE
 CLEAR COVER - INJECTED POLYCARBONATE

CONFIDENTIAL
 THIS MATERIAL IS OWNED BY THE ALLIED MOULDED PRODUCTS COMPANY. IS DISCLOSED IN CONFIDENCE, AND IS NOT TO BE REPRODUCED OR DISTRIBUTED WITHOUT PRIOR WRITTEN PERMISSION FROM ALLIED MOULDED PRODUCTS.

ALLIED MOULDED PRODUCTS
 BRYAN, OHIO
 The Original Fiber Glass Outlet Box

Description
POLYLINE™

Part No.
AMP1426CCNL