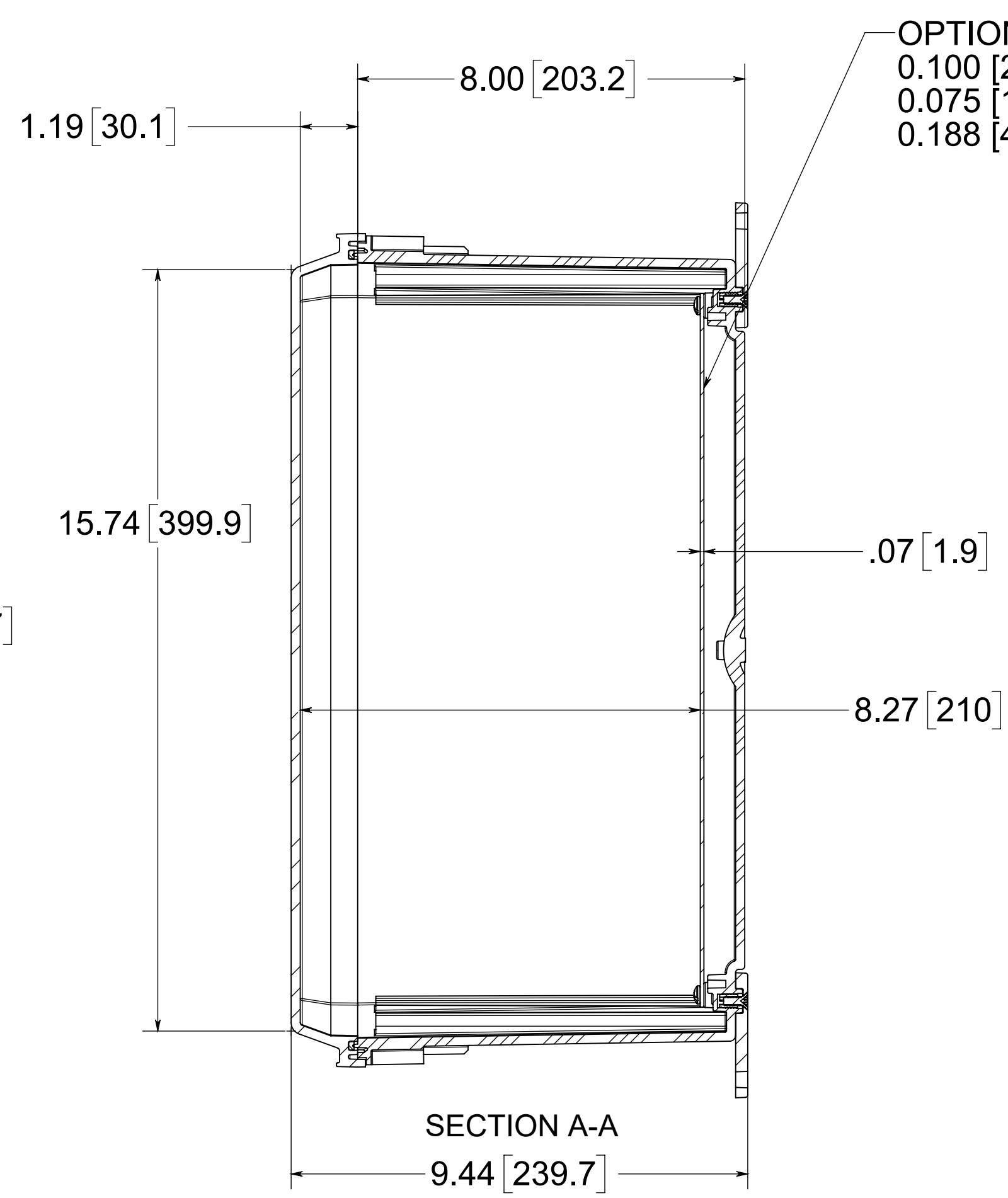
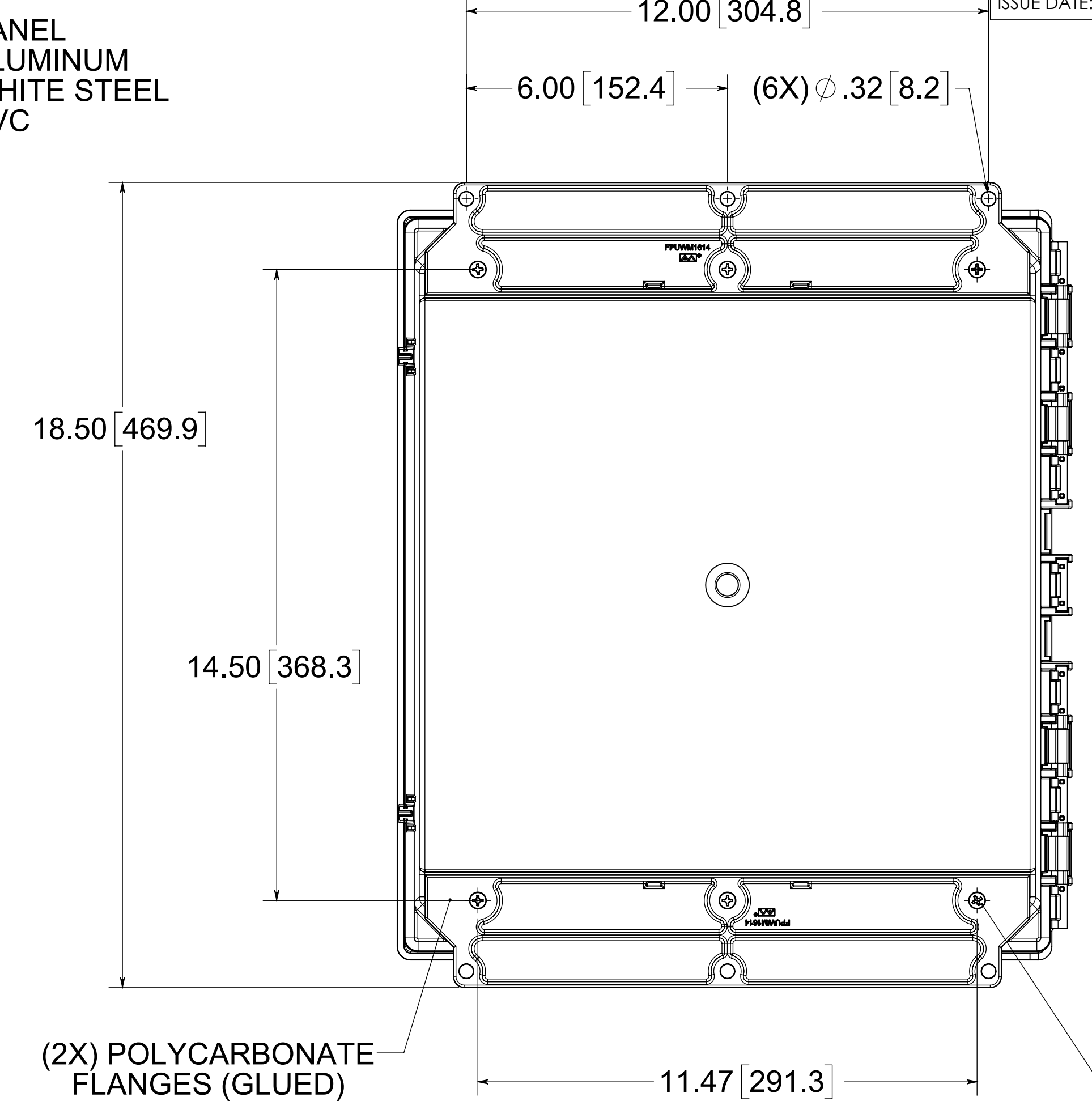


(4X) SNAP-IN POLYCARBONATE HINGE KNUCKLE

(2X) #10-32 BRASS INSERTS AND 316 STAINLESS STEEL CAPTIVE COVER SCREW

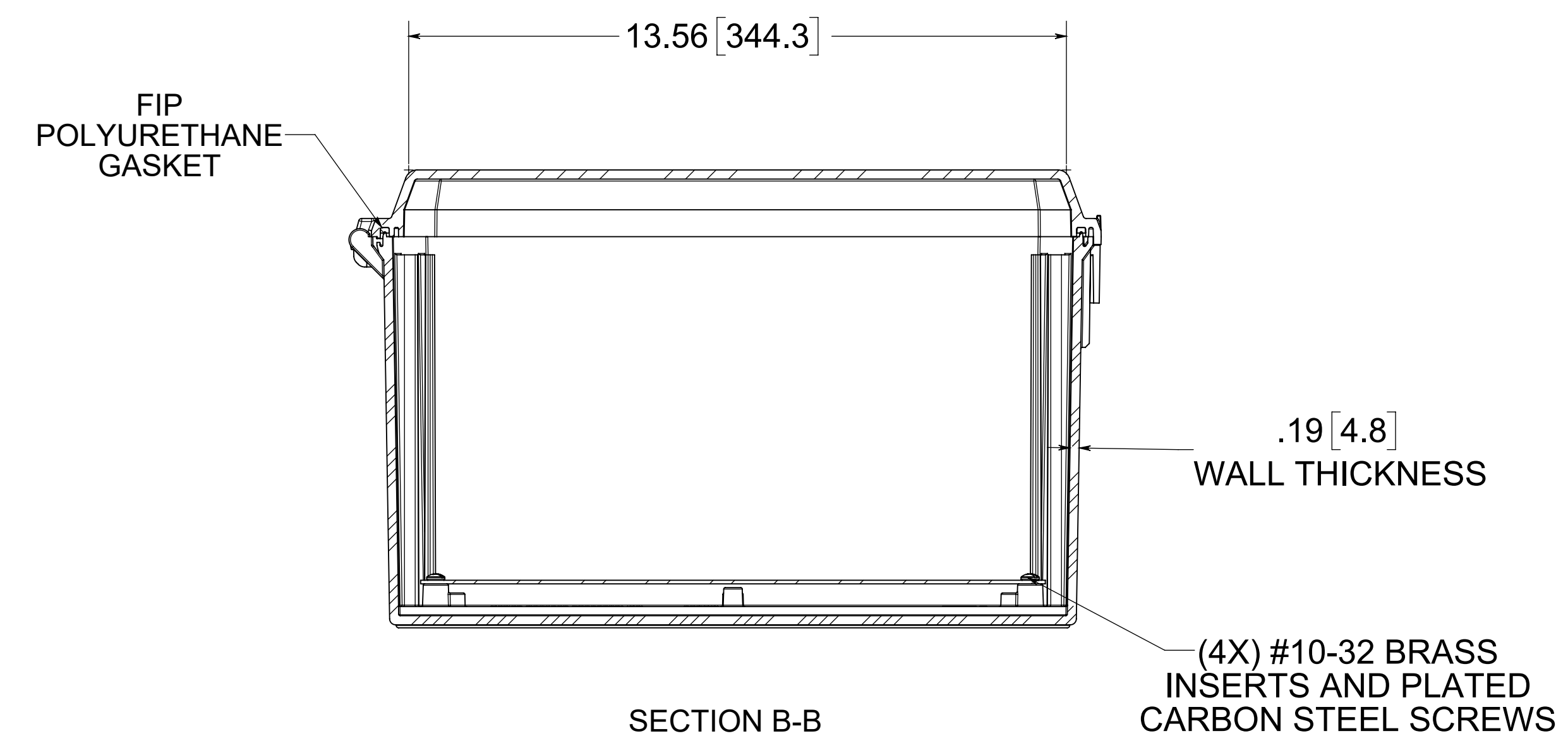


OPTIONAL BACK PANEL  
0.100 [2.54] TH'K- ALUMINUM  
0.075 [1.91] TH'K- WHITE STEEL  
0.188 [4.78] TH'K- PVC

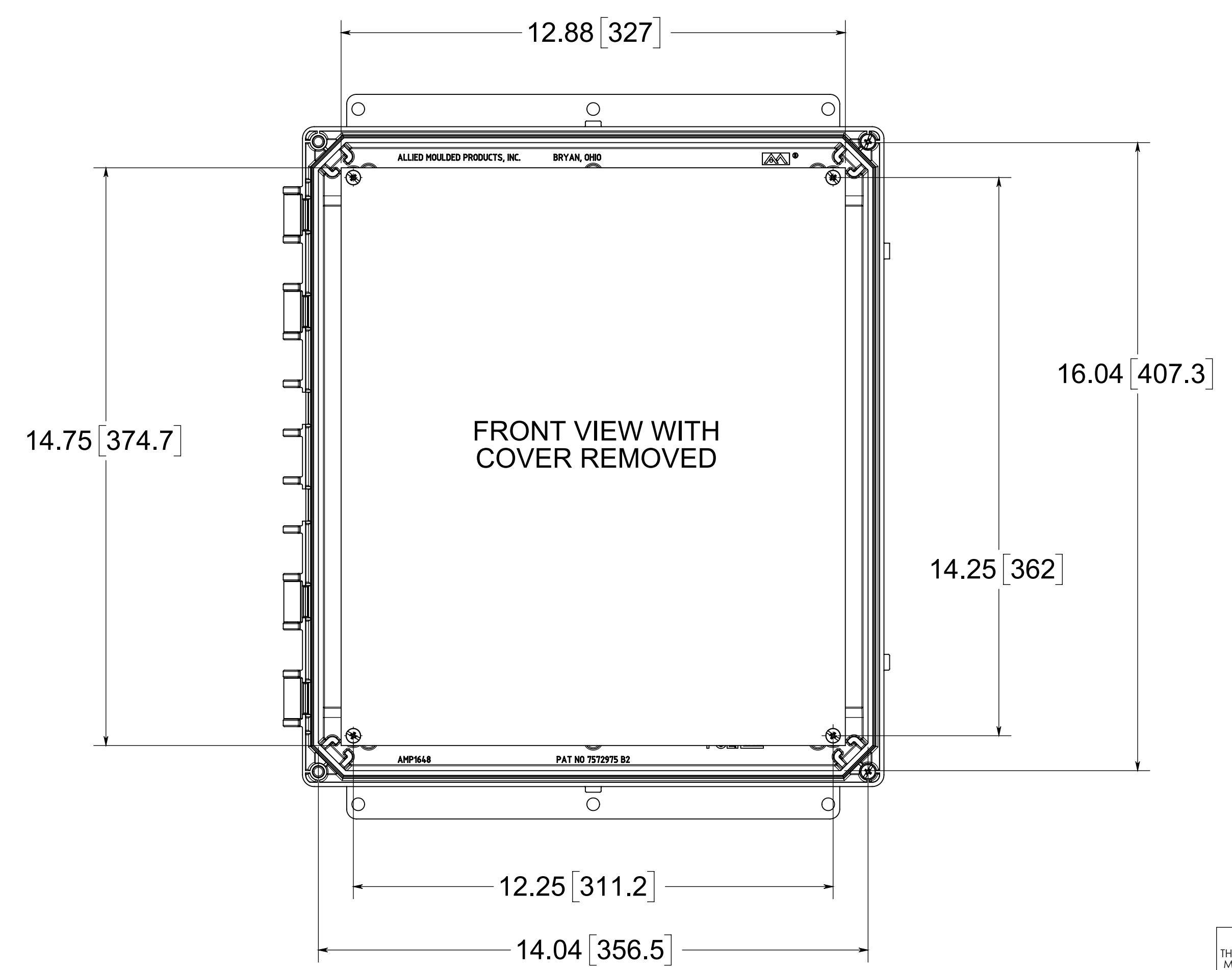


(2X) POLYCARBONATE FLANGES (GLUED)

(6X) #10-32 BRASS INSERTS, 316 STAINLESS STEEL FLANGE AND FEET SCREWS



(4X) #10-32 BRASS INSERTS AND PLATED CARBON STEEL SCREWS



NOTE:  
1. DATA SUBJECT TO CHANGE

MATERIAL:  
BOX - INJECTED POLYCARBONATE  
STANDARD COVER - INJECTED POLYCARBONATE  
CLEAR COVER - INJECTED POLYCARBONATE

ALLIED MOULDED PRODUCTS, INC. BRYAN, OHIO  
The Original Fiber Glass Outlet Box

AMP Polyline  
Part No. AMP1648CCHF

CONFIDENTIAL  
THIS MATERIAL IS OWNED BY THE ALLIED MOULDED PRODUCTS COMPANY, IS DISCLOSED IN CONFIDENCE, AND IS NOT TO BE REPRODUCED OR DISTRIBUTED WITHOUT PRIOR WRITTEN PERMISSION FROM ALLIED MOULDED PRODUCTS.