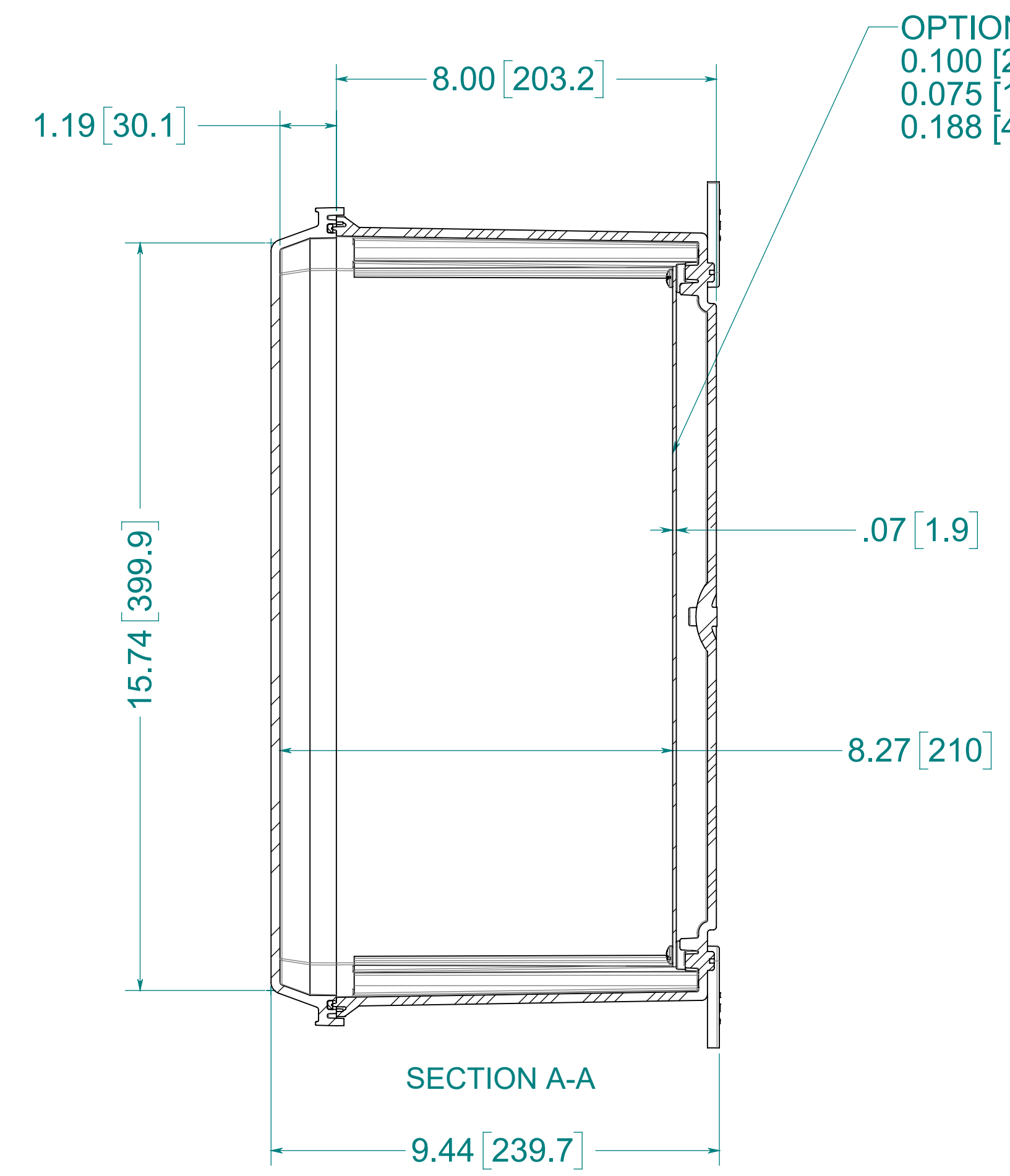
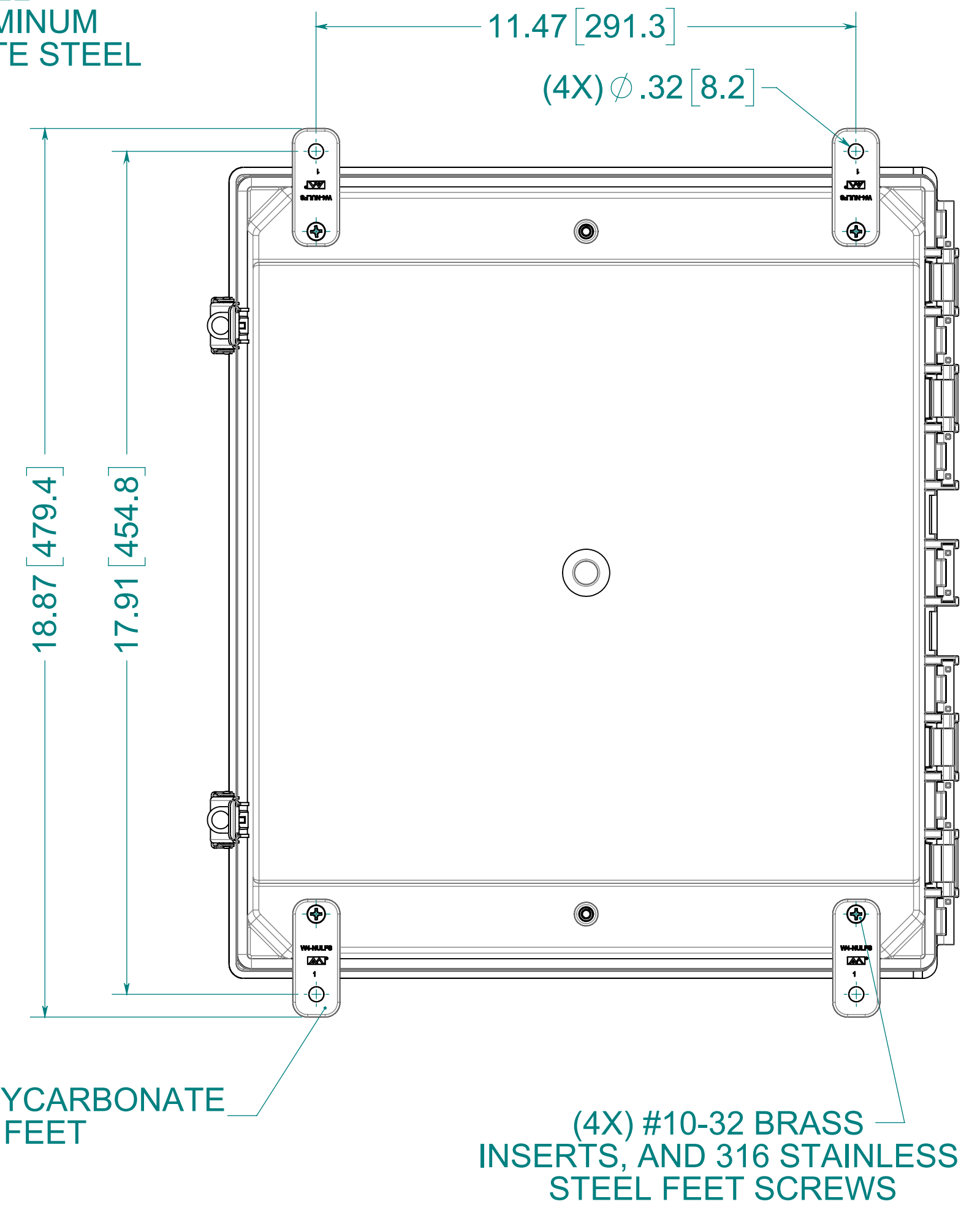


(4X) SNAP-IN POLYCARBONATE HINGE KNUCKLE

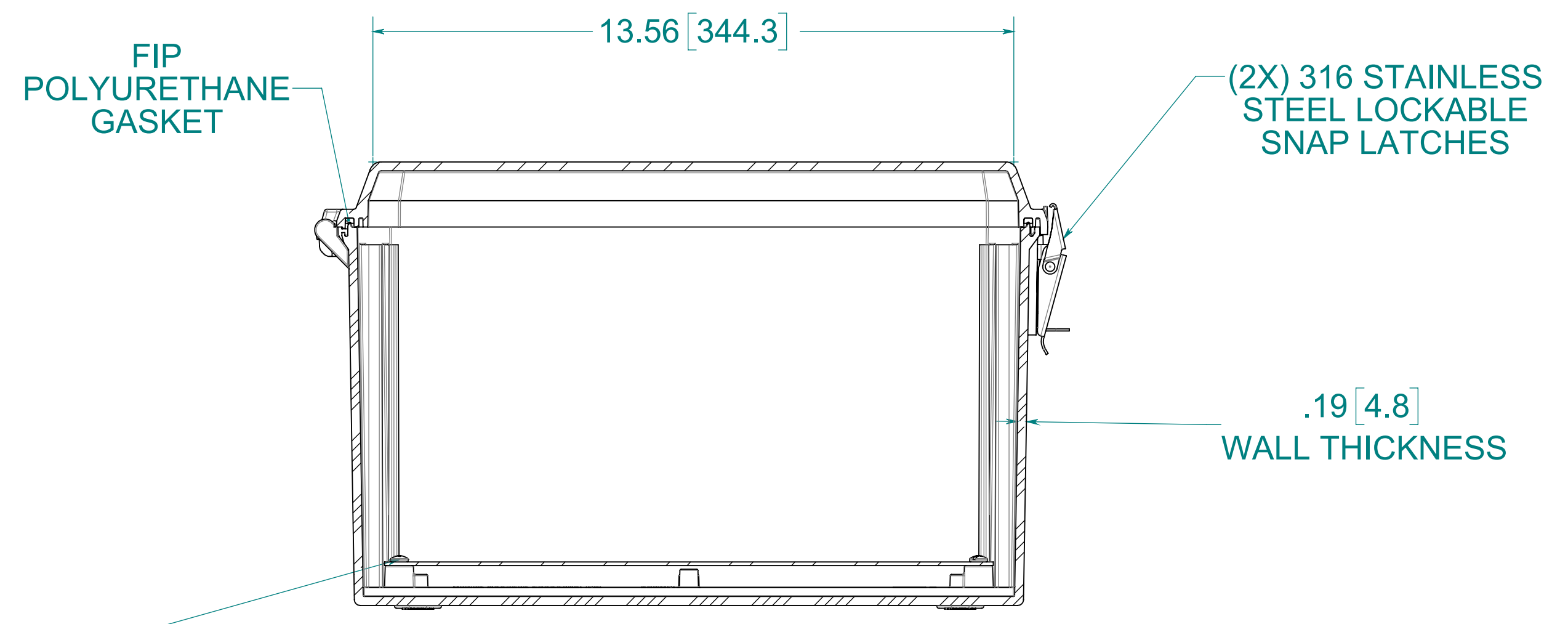


OPTIONAL BACK PANEL
0.100 [2.54] TH'K- ALUMINUM
0.075 [1.91] TH'K- WHITE STEEL
0.188 [4.78] TH'K- PVC

(4X) POLYCARBONATE FEET



(4X) #10-32 BRASS INSERTS, AND 316 STAINLESS STEEL FEET SCREWS



FIP POLYURETHANE GASKET

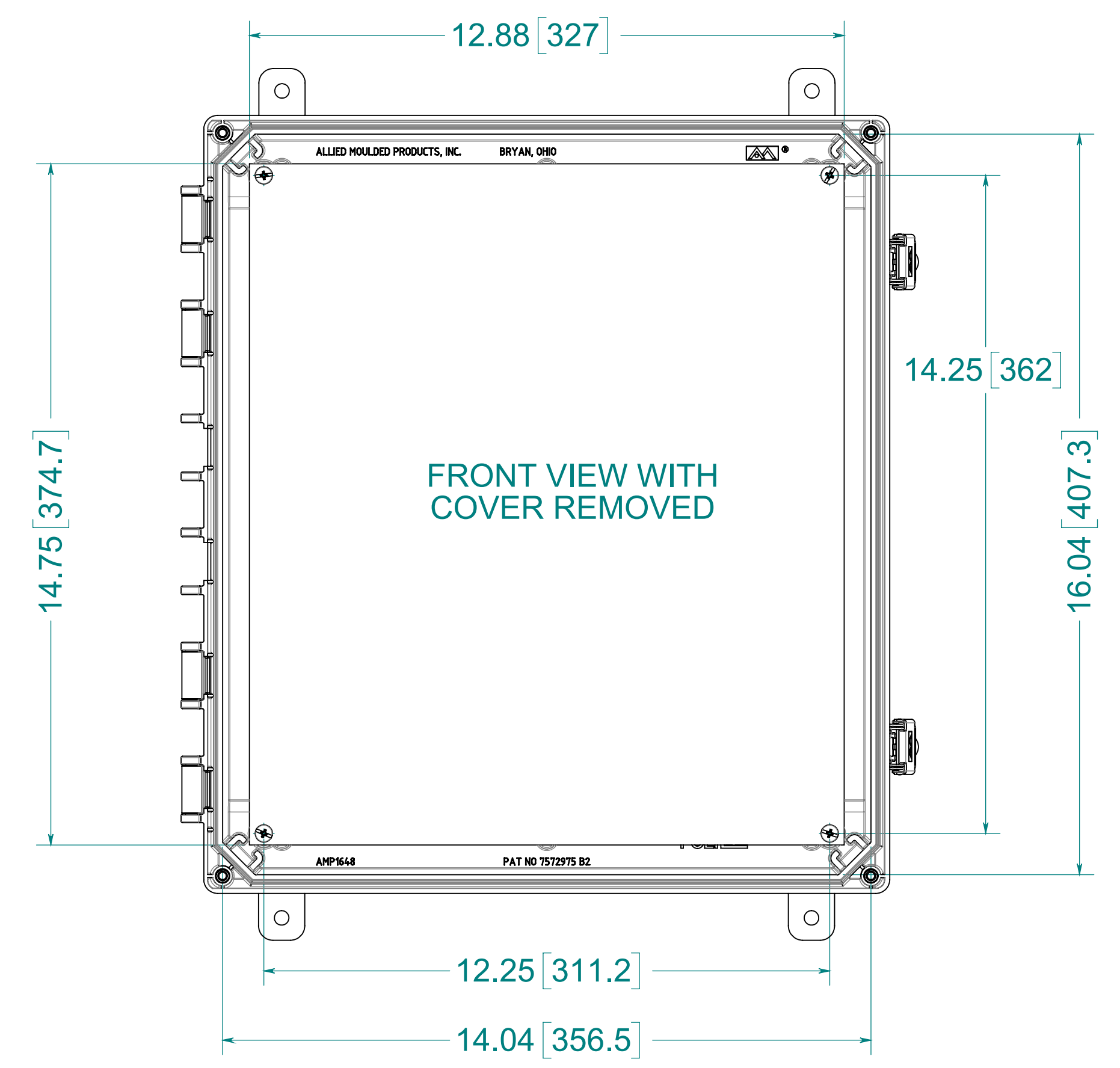
(2X) 316 STAINLESS STEEL LOCKABLE SNAP LATCHES

.19 [4.8] WALL THICKNESS

(4X) #10-32 BRASS INSERTS AND PLATED CARBON STEEL SCREWS

SECTION B-B

MATERIAL:
BOX - INJECTED POLYCARBONATE
STANDARD COVER - INJECTED POLYCARBONATE
CLEAR COVER - INJECTED POLYCARBONATE



NOTE:
1. DATA SUBJECT TO CHANGE

CONFIDENTIAL
THIS MATERIAL IS OWNED BY THE ALLIED MOULDED PRODUCTS COMPANY, IS DISCLOSED IN CONFIDENCE, AND IS NOT TO BE REPRODUCED OR DISTRIBUTED WITHOUT PRIOR WRITTEN PERMISSION FROM ALLIED MOULDED PRODUCTS.

ALLIED MOULDED PRODUCTS
BRYAN, OHIO
The Original Fiber Glass Outlet Box

Description
AMP Polyline
Part No.
AMP1648CCL