

(4X) SNAP-IN POLYCARBONATE HINGE KNUCKLE

OPTIONAL BACK PANEL
.100[2.54] TH'K - ALUMINUM
.075[1.91] TH'K - PAINTED STEEL
.188[4.78] TH'K - PVC

(4X) #10-32 BRASS INSERTS, AND 316 STAINLESS STEEL FLANGE AND FEET SCREWS

(4X) POLYCARBONATE FEET

FIP POLYURETHANE GASKET

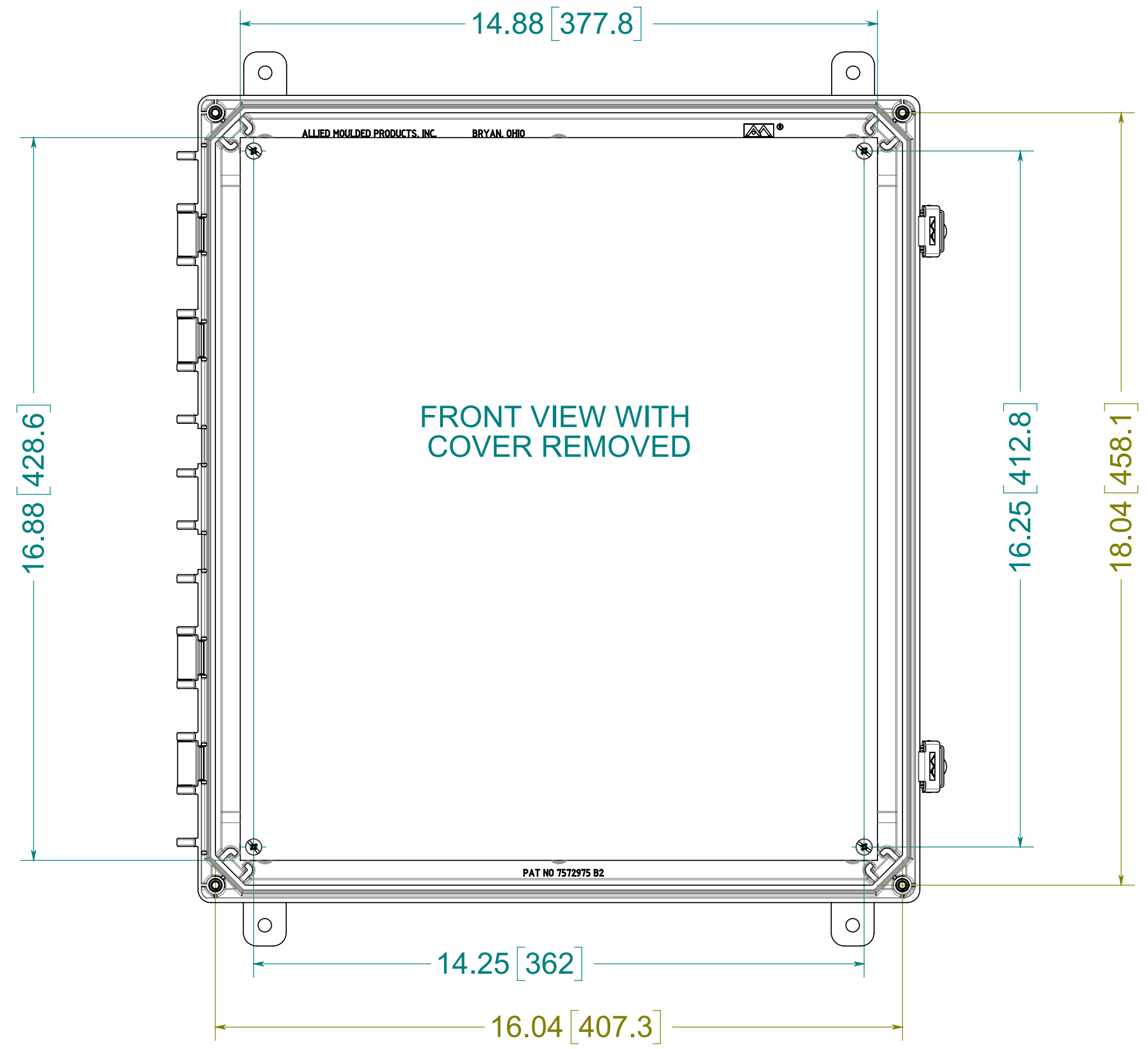
(2X) 316 STAINLESS STEEL LOCKABLE SNAP LATCH

.19 [4.8] WALL THICKNESS

(4X) EACH #10-32 BRASS INSERTS AND PLATED CARBON STEEL SCREWS

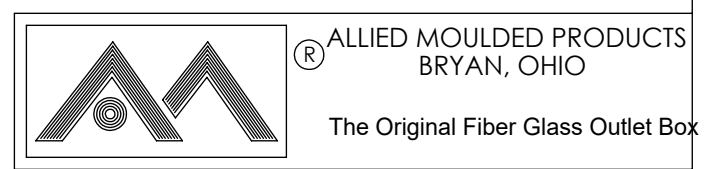
SECTION C-C

MATERIAL:
BOX - INJECTION POLYCARBONATE
STANDARD COVER- INJECTION POLYCARBONATE
CLEAR COVER- INJECTION POLYCARBONATE



FRONT VIEW WITH COVER REMOVED

NOTE:
1. DATA SUBJECT TO CHANGE



AMP Polyline
Part No. AMP1860CCL.WEB

CONFIDENTIAL
THIS MATERIAL IS OWNED BY THE ALLIED MOULDED PRODUCTS COMPANY, IS DISCLOSED IN CONFIDENCE, AND IS NOT TO BE REPRODUCED OR DISTRIBUTED WITHOUT PRIOR WRITTEN PERMISSION FROM ALLIED MOULDED PRODUCTS.