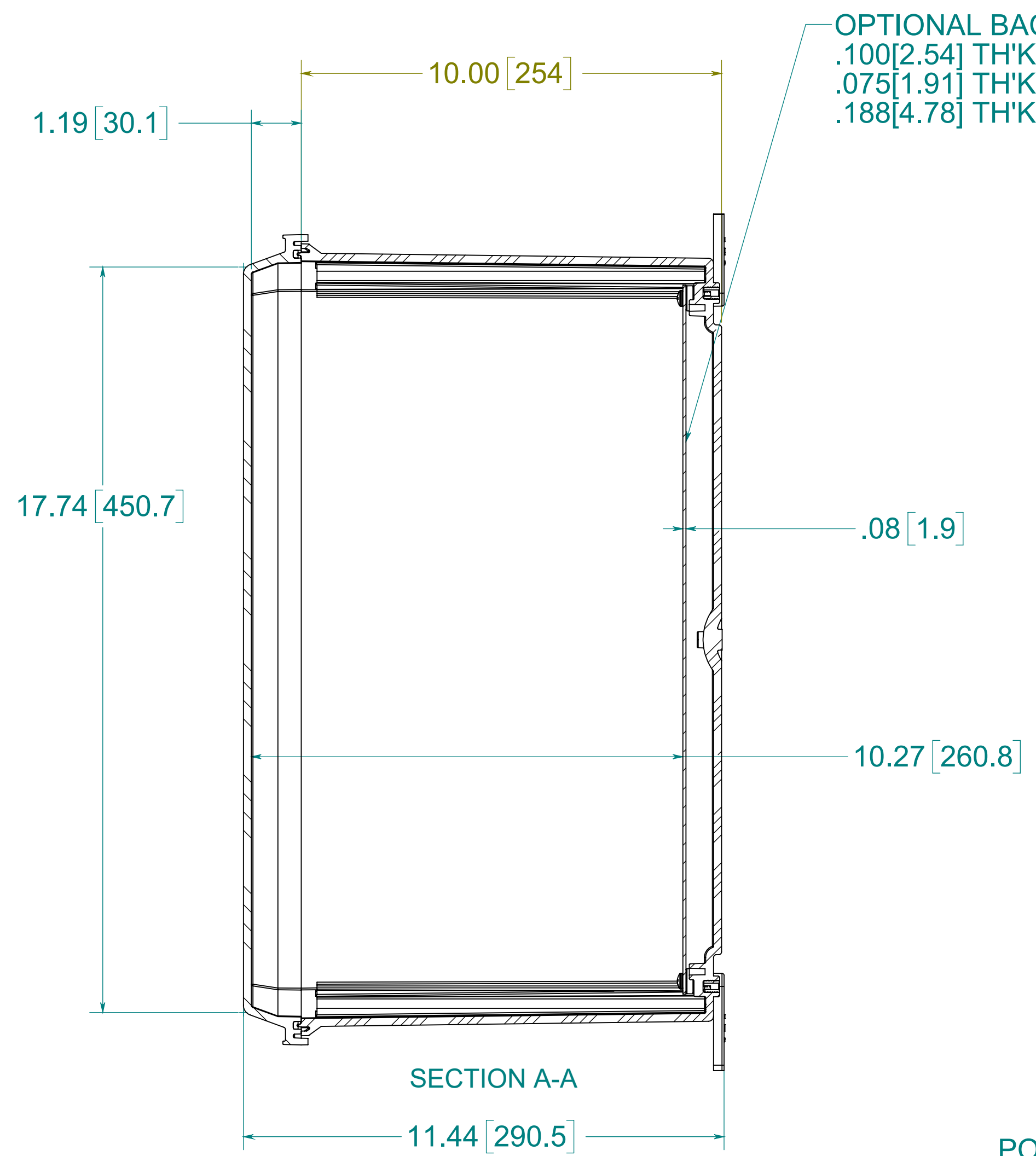
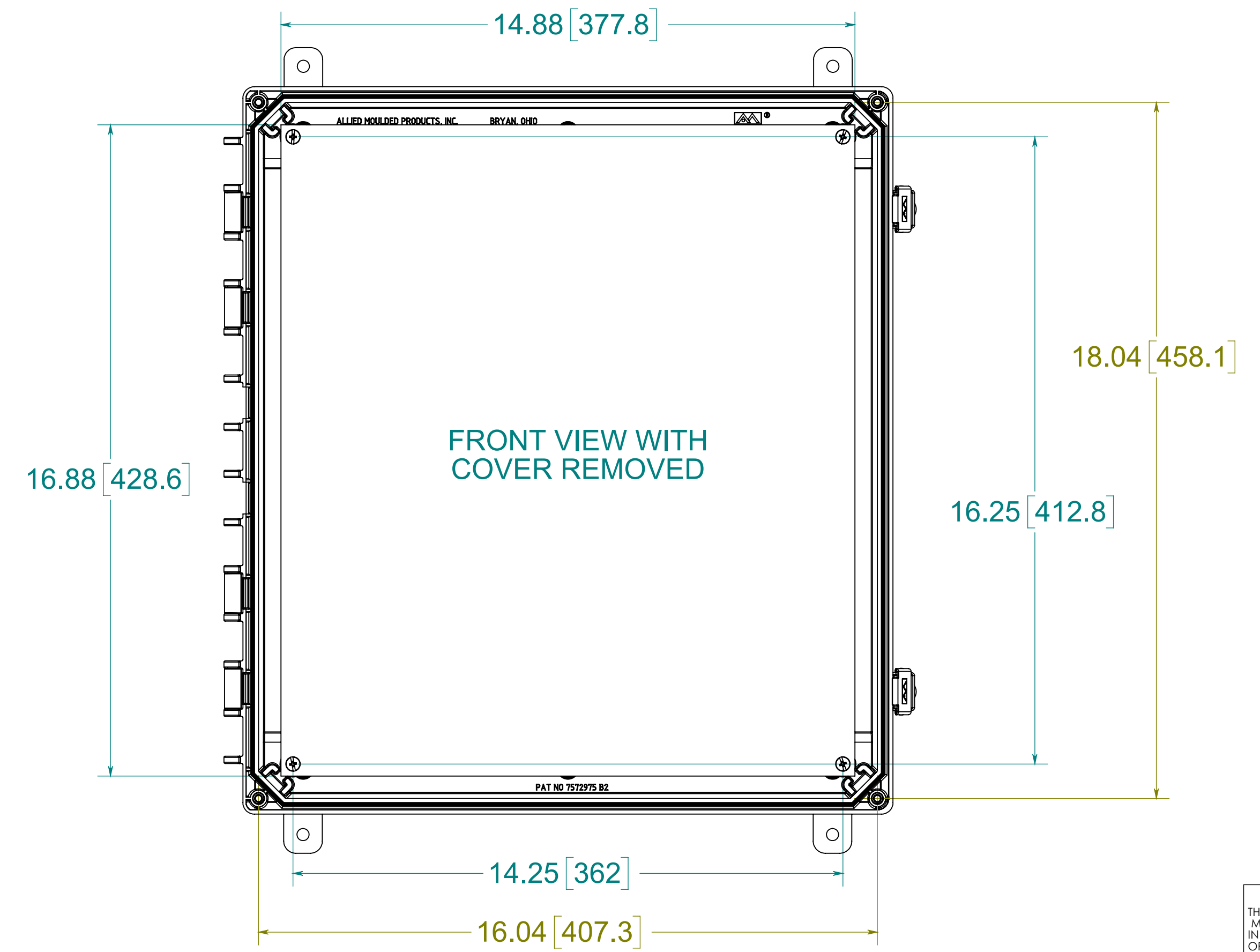
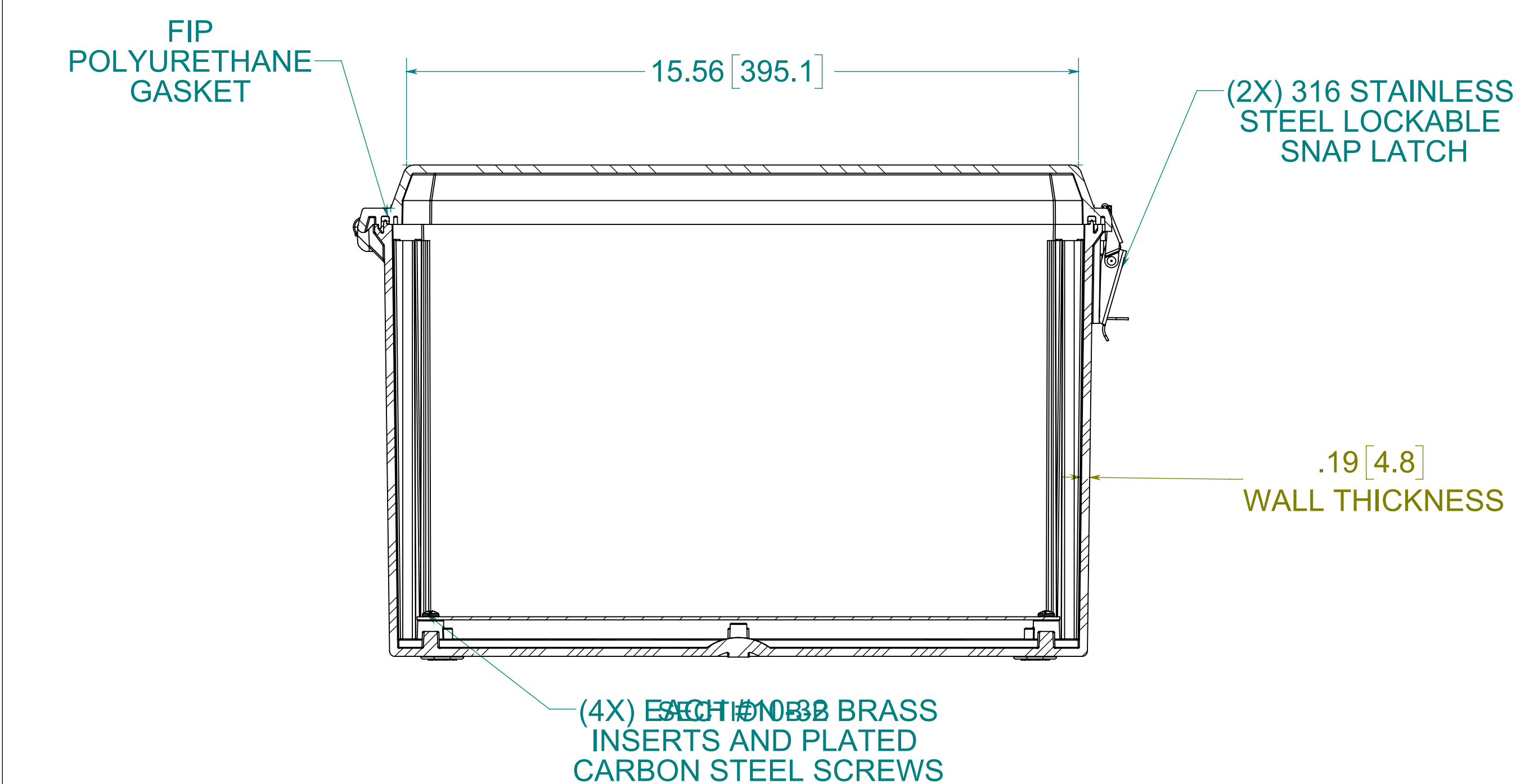
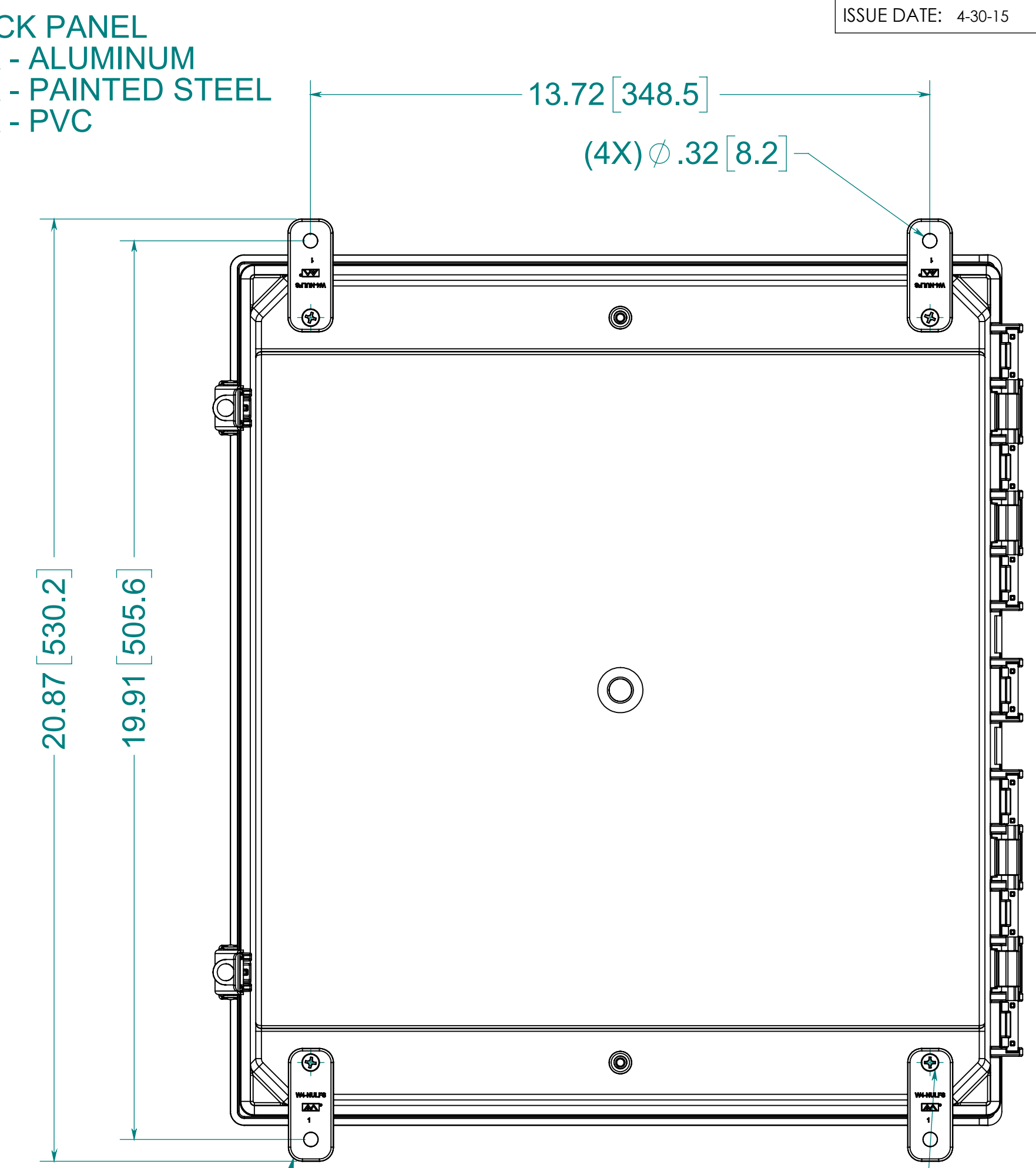


(4X) SNAP-IN POLYCARBONATE HINGE KNUCKLE



OPTIONAL BACK PANEL  
.100[2.54] TH'K - ALUMINUM  
.075[1.91] TH'K - PAINTED STEEL  
.188[4.78] TH'K - PVC



NOTE:  
1. DATA SUBJECT TO CHANGE

MATERIAL:  
BOX - INJECTED POLYCARBONATE  
STANDARD COVER - INJECTED POLYCARBONATE  
CLEAR COVER - INJECTED POLYCARBONATE

CONFIDENTIAL  
THIS MATERIAL IS OWNED BY THE ALLIED MOULDED PRODUCTS COMPANY, IS DISCLOSED IN CONFIDENCE, AND IS NOT TO BE REPRODUCED OR DISTRIBUTED WITHOUT PRIOR WRITTEN PERMISSION FROM ALLIED MOULDED PRODUCTS.

ALLIED MOULDED PRODUCTS  
BRYAN, OHIO  
The Original Fiber Glass Outlet Box

Description  
**AMP Polyline**  
Part No.  
**AMP1860L**