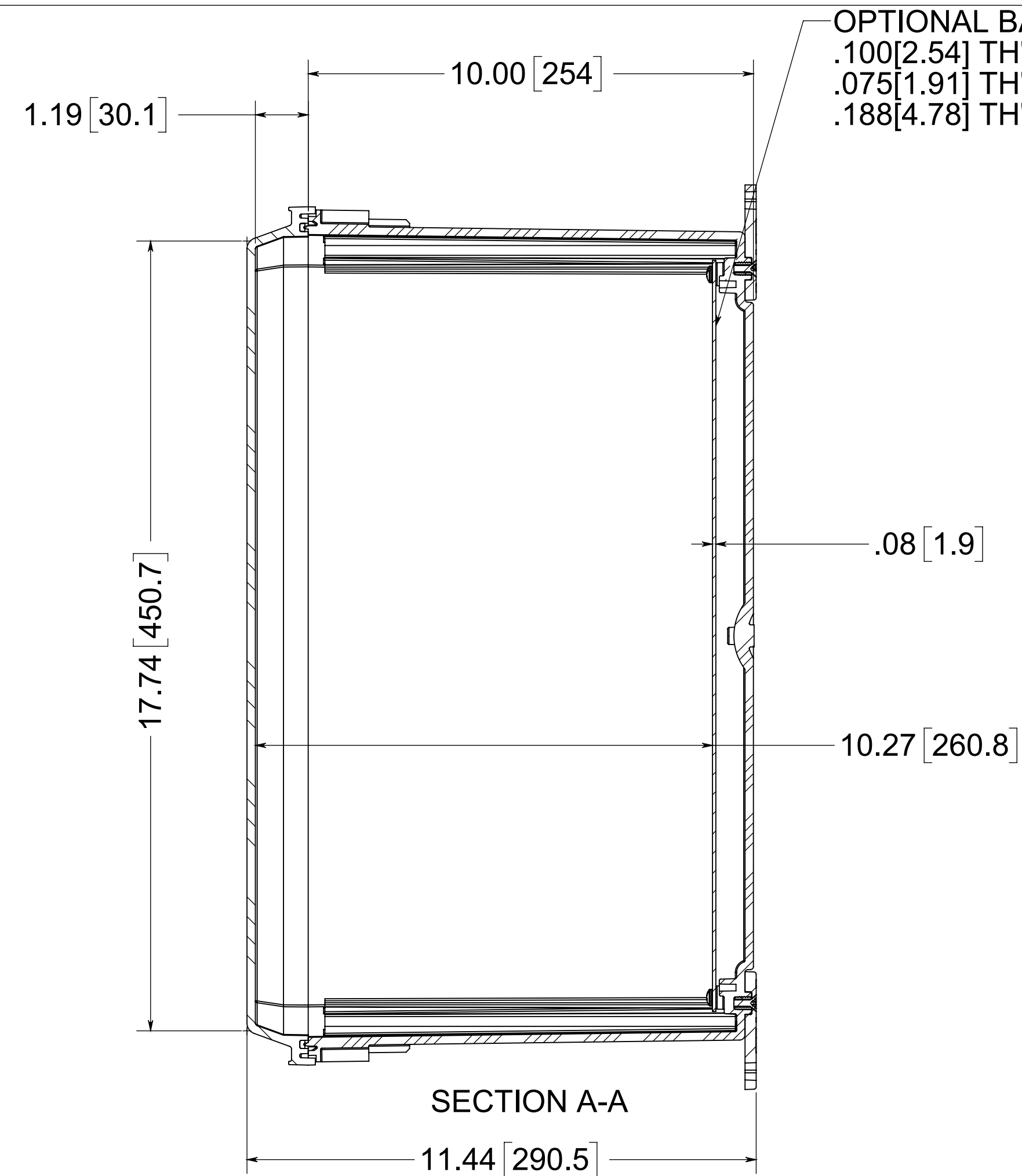
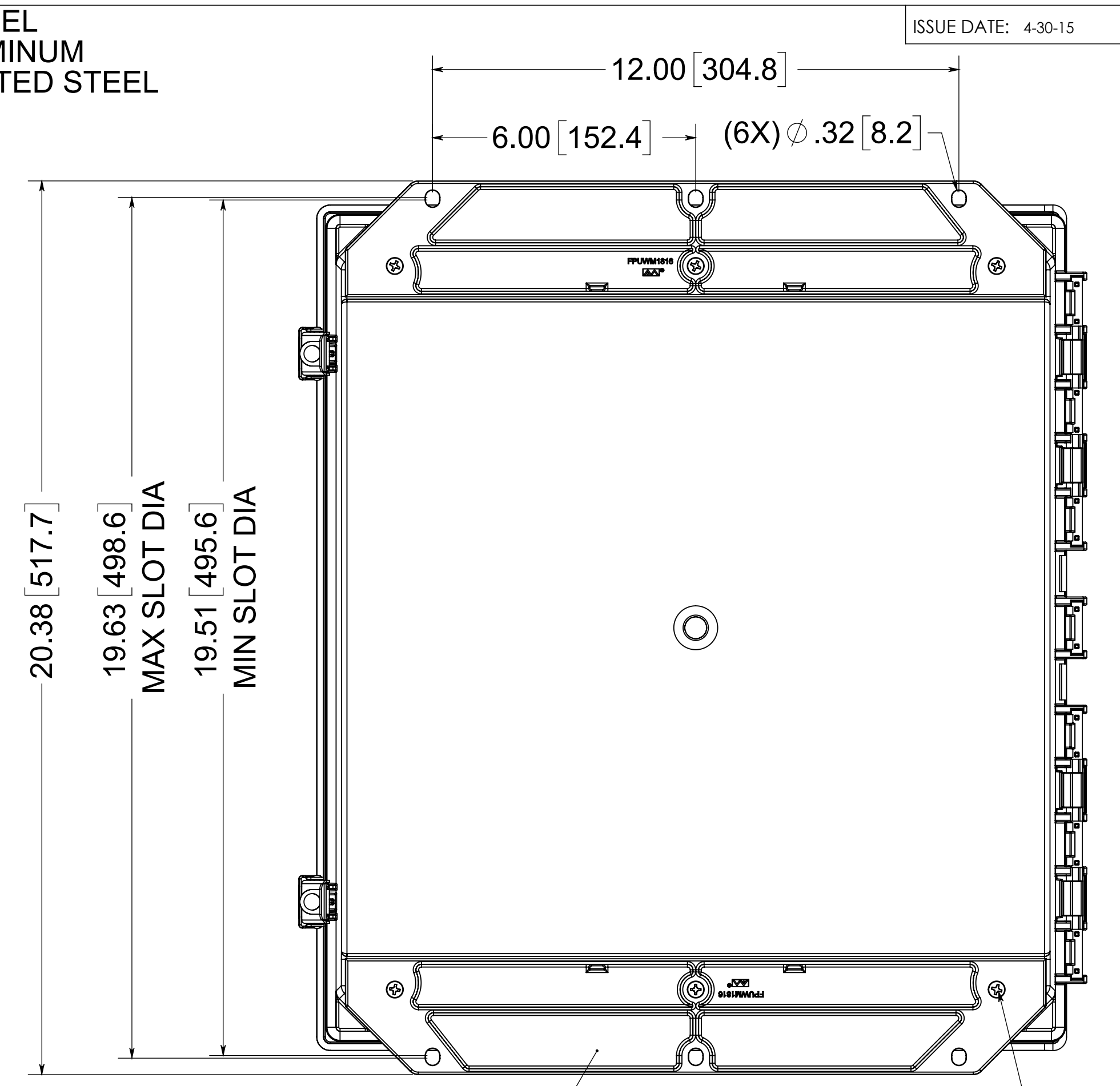


(4X) SNAP-IN POLYCARBONATE HINGE KNUCKLE

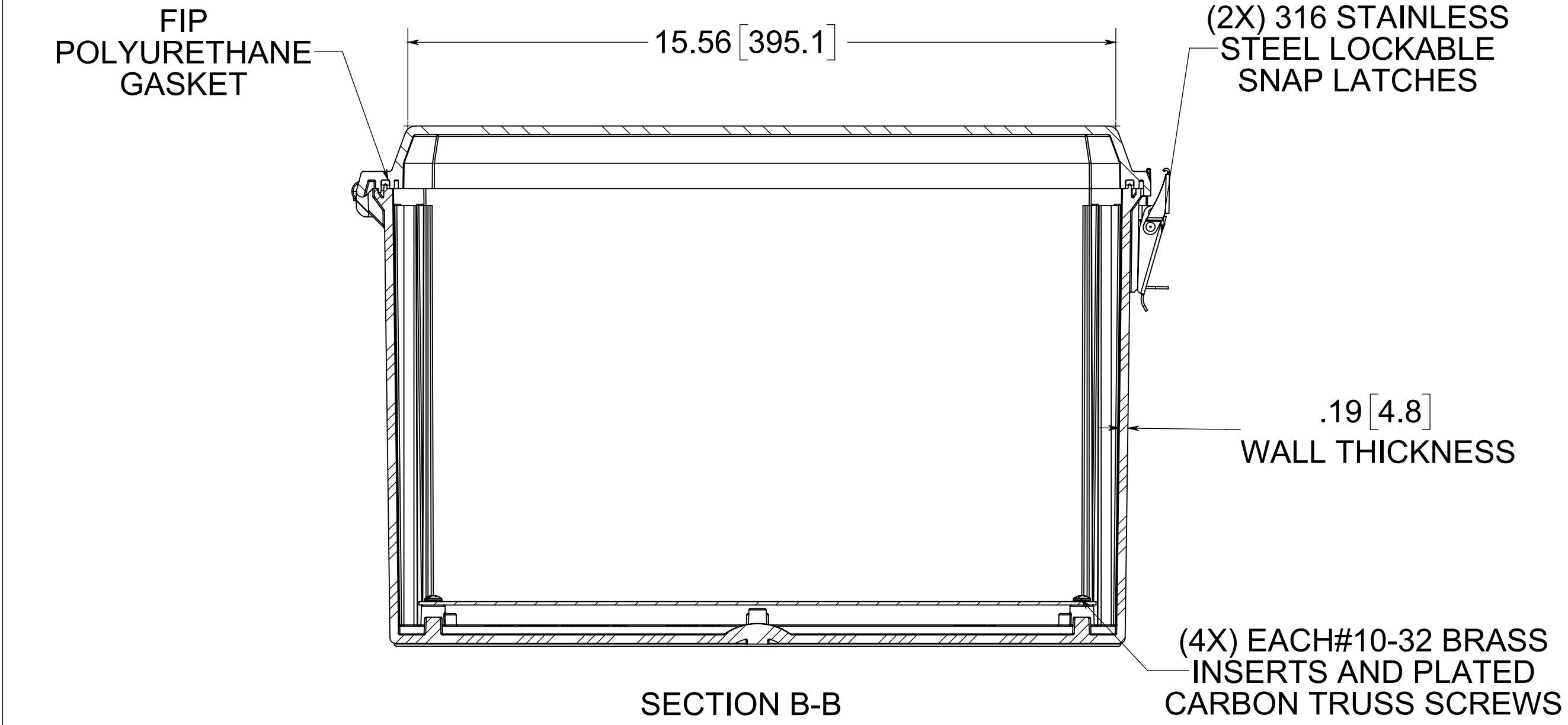


OPTIONAL BACK PANEL
 .100[2.54] TH'K - ALUMINUM
 .075[1.91] TH'K - PAINTED STEEL
 .188[4.78] TH'K - PVC



(2X) POLYCARBONATE FLANGES

(6X) #10-32 BRASS INSERTS, 316 STAINLESS STEEL FLANGE AND FEET SCREWS

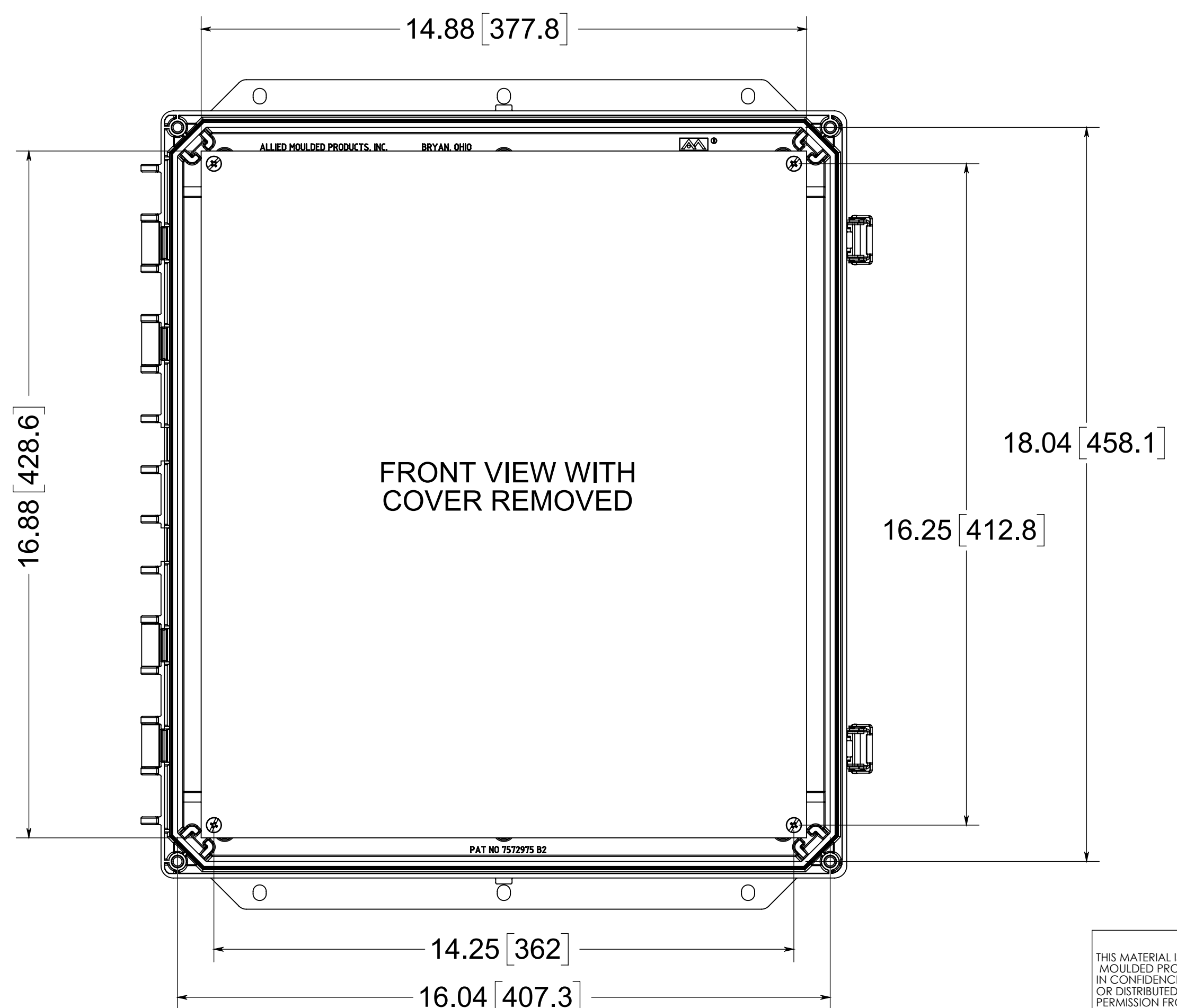


FIP POLYURETHANE GASKET

(2X) 316 STAINLESS STEEL LOCKABLE SNAP LATCHES


.19 [4.8] WALL THICKNESS

(4X) EACH #10-32 BRASS INSERTS AND PLATED CARBON TRUSS SCREWS



NOTE:
 1. DATA SUBJECT TO CHANGE

MATERIAL:
 BOX- INJECTED POLYCARBONATE
 STANDARD COVER- INJECTED POLYCARBONATE
 CLEAR COVER- INJECTED POLYCARBONATE


 ALLIED MOULDED PRODUCTS
 BRYAN, OHIO
 The Original Fiber Glass Outlet Box
 Description
AMP Polyline
 Part No.
AMP1860LF

CONFIDENTIAL
 THIS MATERIAL IS OWNED BY THE ALLIED MOULDED PRODUCTS COMPANY, IS DISCLOSED IN CONFIDENCE, AND IS NOT TO BE REPRODUCED OR DISTRIBUTED WITHOUT PRIOR WRITTEN PERMISSION FROM ALLIED MOULDED PRODUCTS.