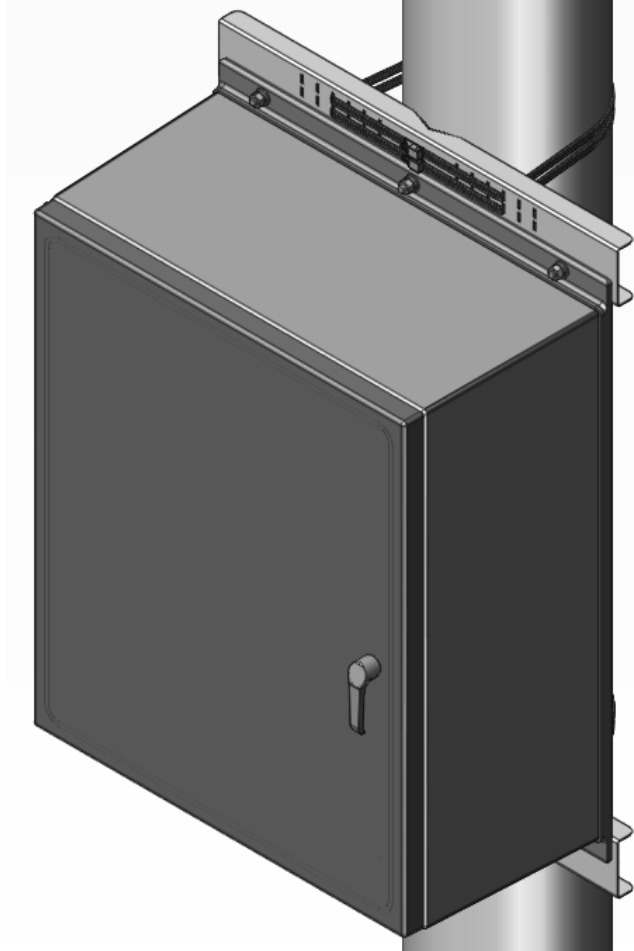


# ENCLOSURE POLE MOUNT KIT

## Installation Instructions

### AMPOLEMNTEMP



Part Number	AM Series Units
AMPOLEMNTEMP	AM363012 & 16
	AMEC363012
	AM363612 & 16
	AM483612 & 16
	AM603612 & 16

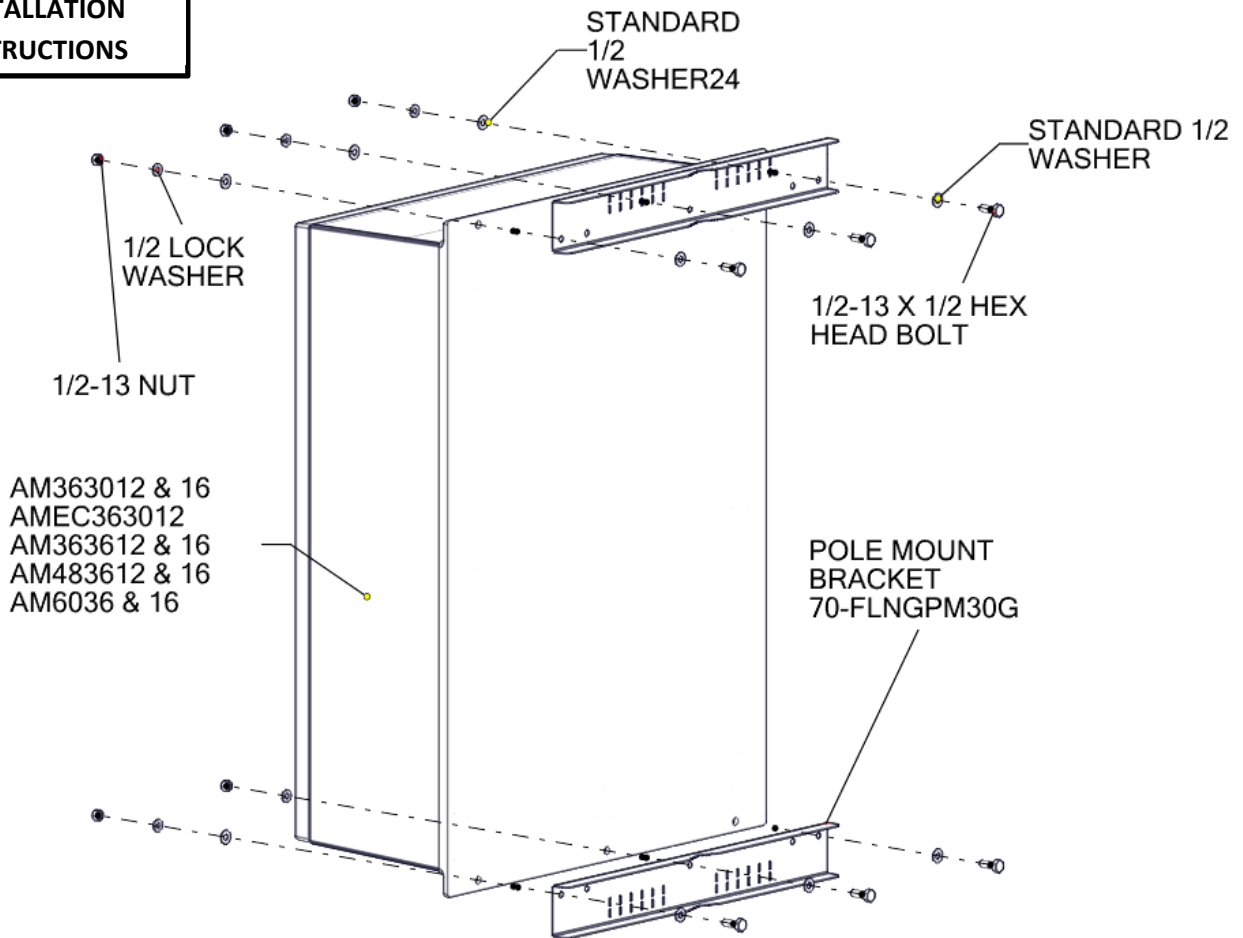


**ALLIED  
MOULDED  
PRODUCTS, Inc.**

222 N. Union St.  
Bryan, OH 43506  
PH: 419-636-4217 • FAX: 800-237-7269  
[www.alliedmoulded.com](http://www.alliedmoulded.com)

P/N INST-EMPLMNT

**EMPIRE SERIES  
INSTALLATION  
INSTRUCTIONS**



1. ATTACH POLE MOUNT BRACKET TO ENCLOSURE WITH PROVIDED HARDWARE.
2. THEN ATTACH ENCLOSURE TO POLE WITH METAL CLAMPS.

**EMPIRE SERIES  
INSTALLATION  
INSTRUCTIONS**

**AM363012 & 16**  
**AMEC363012**  
**AM363612 & 16**  
**AM483612 & 16**  
**AM603612 & 16**

- (6) 1/2"-13X1 1/2 HEX HEAD BOLTS
- (6) 1/2"-13 NUTS
- (12) STANDARD 1/2" WASHERS
- (6) 1/2" LOCK WASHERS
- (4) POLE MOUNT CLAMP  
(70-POLEMNTCLAMP)
- (2) POLE MOUNT BRACKET  
(70-FLNGPM30G)

