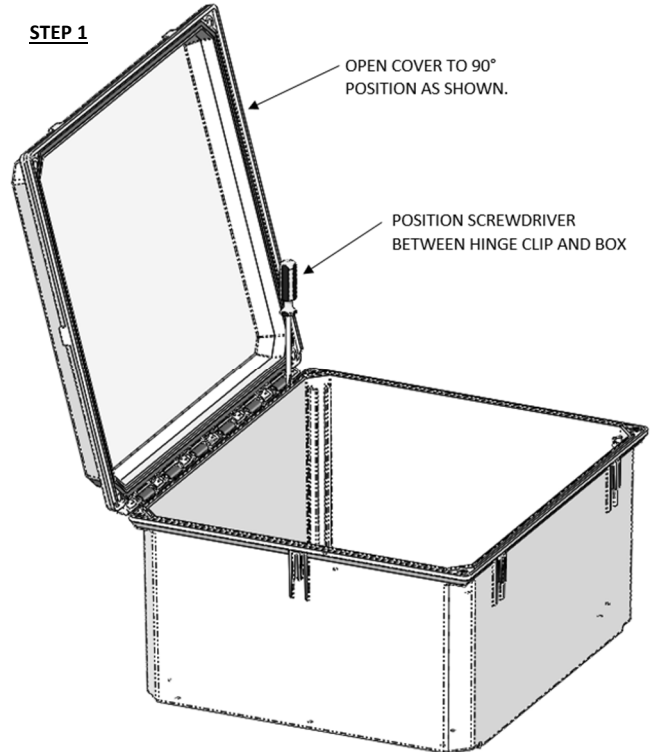




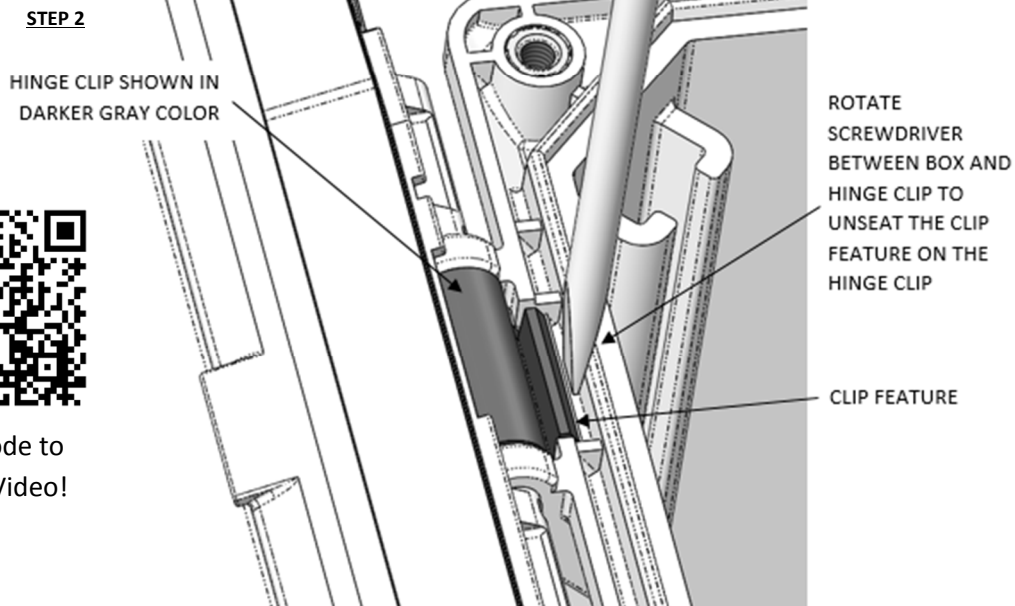
**Instructions for Removing Hinge Clips for Cover Removal**

**NOTE: Flat Blade Screw Driver or similar tool is required to remove hinge clips**

1. Unlatch and open the Cover between 90° and 120°. (If the Cover is fully open, the hinge clips cannot be removed.)
2. Use the flat blade screwdriver and position the blade to disengage the clip as shown. The hinge clip will unseat when the screwdriver is rotated.  
NOTE: The spring action of the hinge clip may cause the clip to unseat quickly. Place a hand or other means under the hinge clip to catch it during removal.
3. Collect the hinge clip that is removed and set aside for reinstallation.
4. Repeat steps 2 & 3 for each hinge clip.



Scan Code to Watch Video!





**Instructions for Installing Hinge Clips on Nonmetallic Hinge**

1. Align the Cover with the Box with the Cover oriented in the open position (open past the 120° position).

2. Line up the posts of the Cover hinge feature with the grooves on the Box hinge feature.

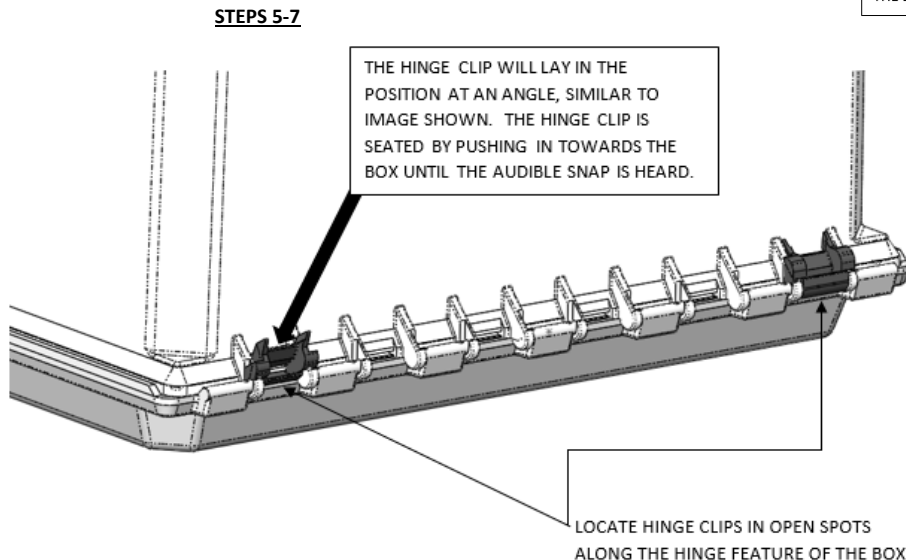
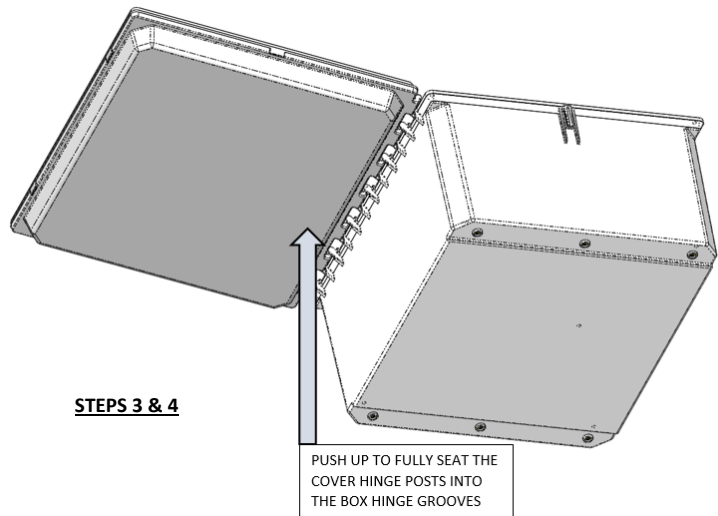
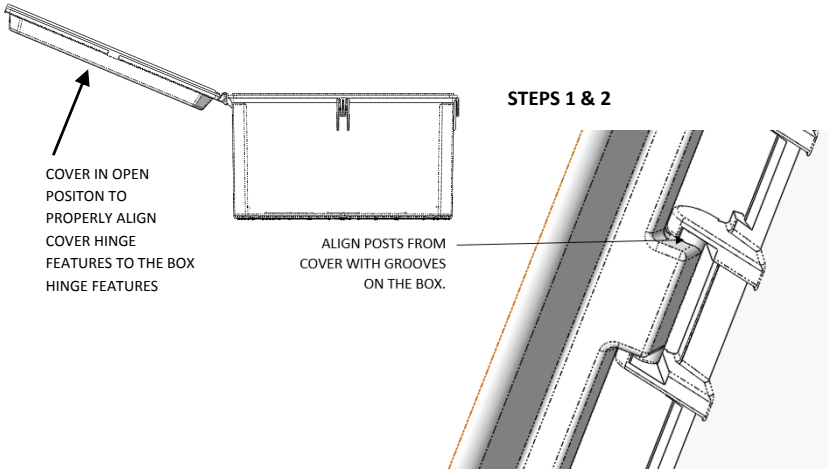
3. Push or Pull the Cover up to fully seat the posts in the grooves before closing the Cover.

4. Carefully close the cover and locate the hinge clips to be installed.

5. Insert the Hinge Clips in open slots along the hinge feature of the box.

6. Push the hinge clip into the fully seated position. There will be an audible snap when the hinge clip is seated.

7. Repeat Step 6 for each hinge clip.



**Allied Moulded Products, Inc.**  
 222 North Union Street  
 Bryan, OH 43506  
 Phone: 1-800-722-2679  
 Fax: 1-800-237-7269  
[www.alliedmoulded.com](http://www.alliedmoulded.com)